

Robert Bosch GmbH
Power Tools Division
70745 Leinfelden-Echterdingen

www.bosch-pt.com

1 609 929 M43 (2007.11) O / 76

GSB Professional

10 | 10 RE | 13 | 13 RE | 16 | 16 RE



us Original operating instructions

cn 正本使用说明书

tw 正本使用說明書

kr 사용 설명서 원본

th หนังสือคู่มือการใช้งานฉบับต้นแบบ

id Petunjuk-Petunjuk untuk
Penggunaan Orisinal

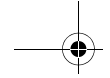
vn Bảng hướng dẫn nguyên bản

fr Notice originale

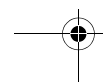
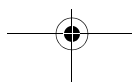
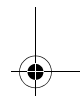
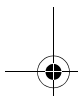
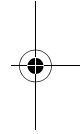
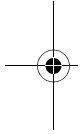
ar تعليمات التشغيل الأصلية

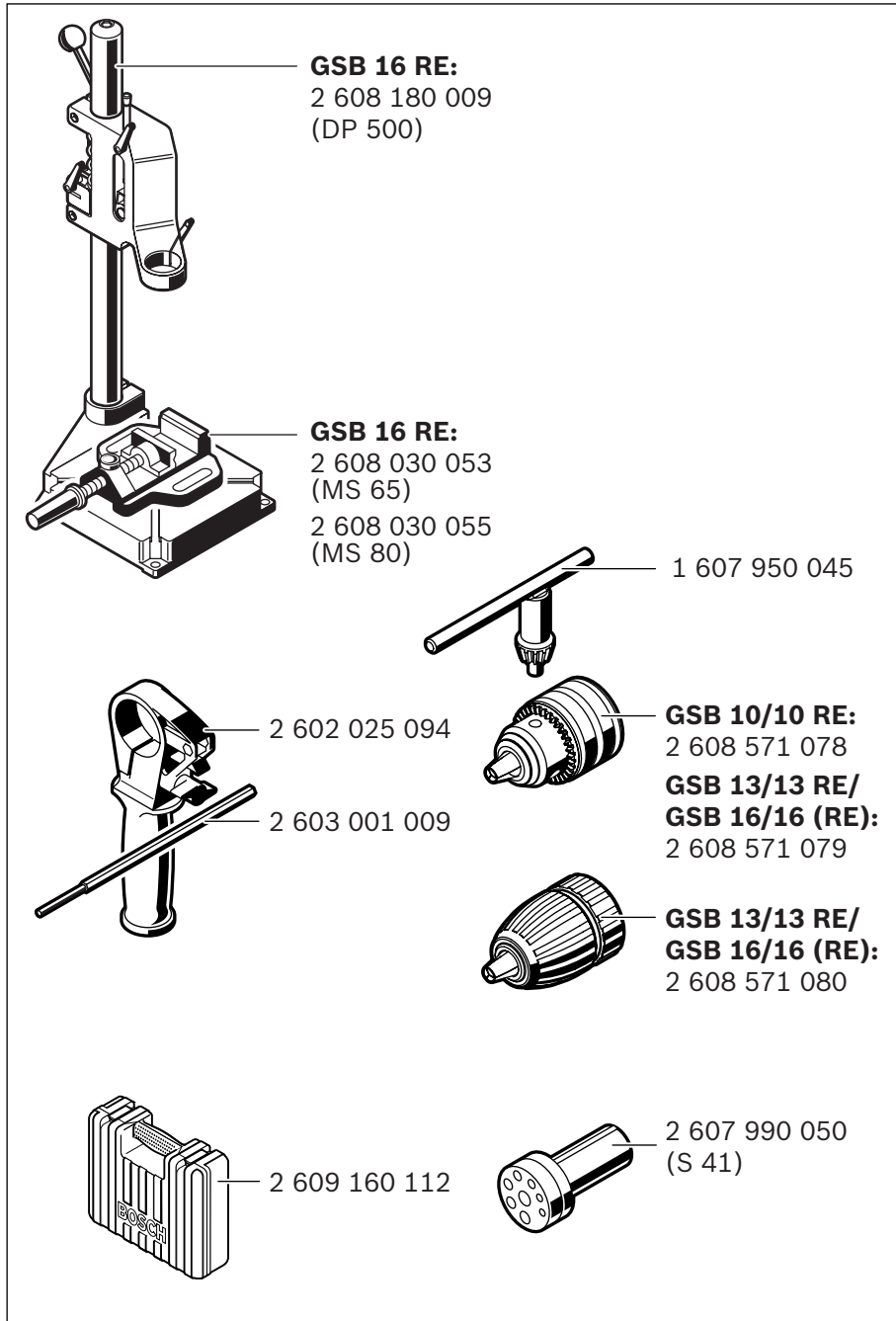
fa راهنمای طرز کار اصلی

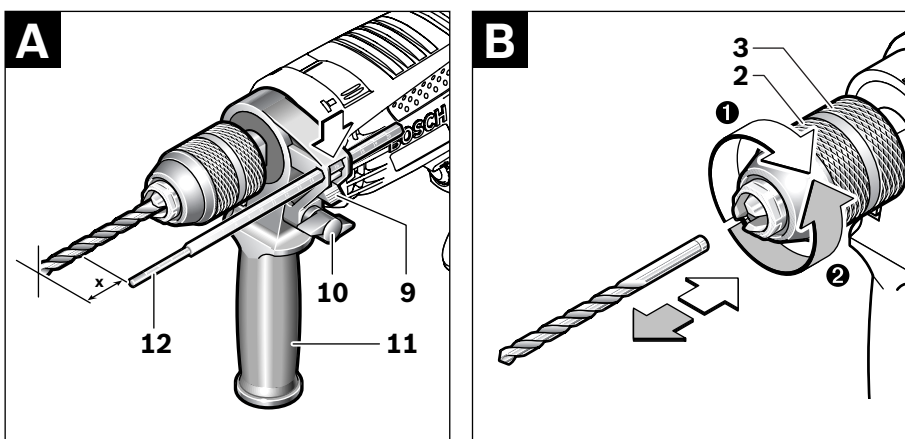
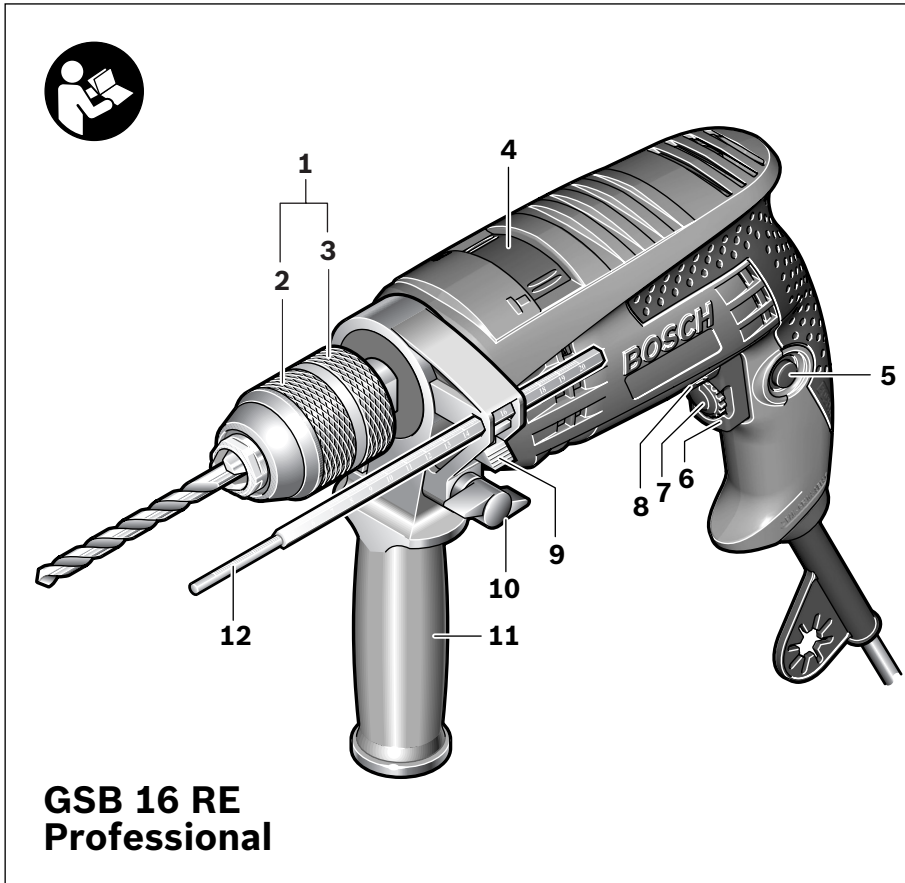


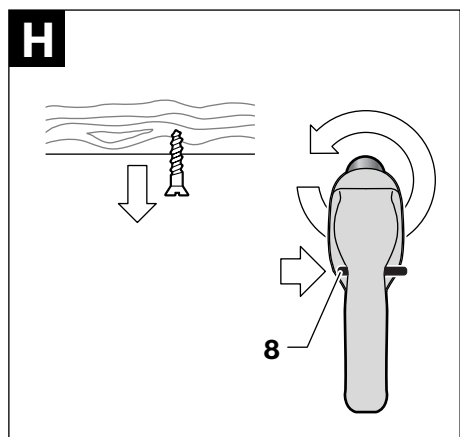
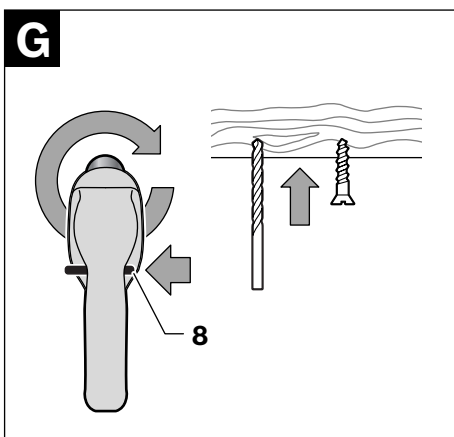
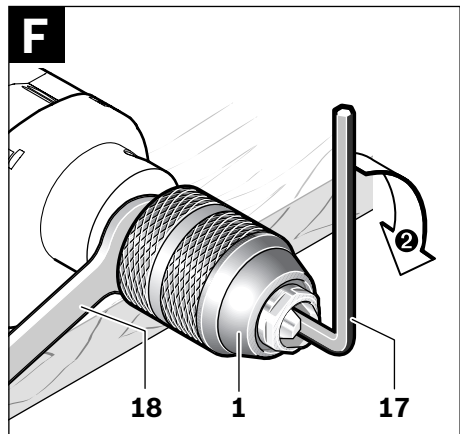
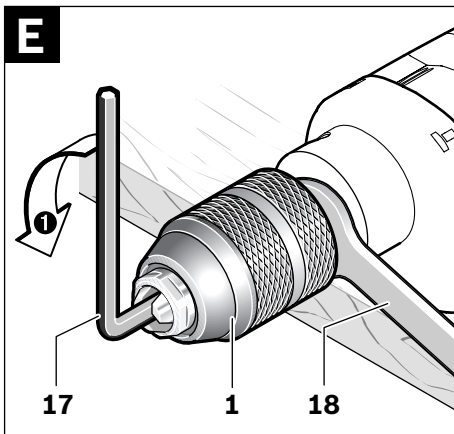
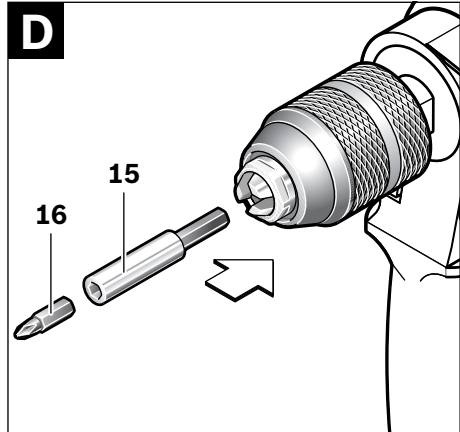
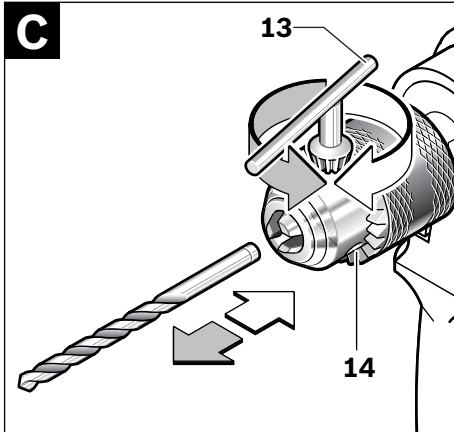


English	Page 6
中文.....	页 14
中文.....	頁 20
한국어.....	면 26
ภาษาไทย.....	หน้า 32
Bahasa Indonesia	Halaman 39
Tiếng Việt.....	Trang 48
Français	Page 55
عربي	صفحة 62
فارسی	صفحه 69









General Power Tool Safety Warnings

⚠ WARNING Read all safety warnings and all instructions. Failure to follow the warnings and instructions may result in electric shock, fire and/or serious injury.

Save all warnings and instructions for future reference.

The term “power tool” in the warnings refers to your mains-operated (corded) power tool or battery-operated (cordless) power tool.

1) Work area safety

- a) **Keep work area clean and well lit.** Cluttered or dark areas invite accidents.
- b) **Do not operate power tools in explosive atmospheres, such as in the presence of flammable liquids, gases, or dust.** Power tools create sparks which may ignite the dust or fumes.
- c) **Keep children and bystanders away while operating a power tool.** Distractions can cause you to lose control.

2) Electrical safety

- a) **Power tool plugs must match the outlet. Never modify the plug in any way. Do not use any adapter plugs with earthed (grounded) power tools.** Unmodified plugs and matching outlets will reduce the risk of electric shock.
- b) **Avoid body contact with earthed or grounded surfaces, such as pipes, radiators, ranges and refrigerators.** There is an increased risk of electric shock if your body is earthed or grounded.
- c) **Do not expose power tools to rain or wet conditions.** Water entering a power tool will increase the risk of electric shock.
- d) **Do not abuse the cord. Never use the cord for carrying, pulling or unplugging the power tool. Keep cord away from heat, oil, sharp edges or moving parts.** Damaged or entangled cords increase the risk of electric shock.

e) **When operating a power tool outdoors, use an extension cord suitable for outdoor use.** Use of a cord suitable for outdoor use reduces the risk of electric shock.

f) **If operating a power tool in a damp location is unavoidable, use a ground fault circuit interrupter (GFCI) or an earth leakage circuit breaker (ELCB).** Use of a GFCI or an ELCB reduces the risk of electric shock.

3) Personal safety

- a) **Stay alert, watch what you are doing and use common sense when operating a power tool. Do not use a power tool while you are tired or under the influence of drugs, alcohol, or medication.** A moment of inattention while operating power tools may result in serious personal injury.
- b) **Use personal protective equipment. Always wear eye protection.** Protective equipment such as dusk mask, non-skid safety shoes, hard hat or hearing protection used for appropriate conditions will reduce personal injuries.
- c) **Prevent unintentional starting. Ensure the switch is in the off position before connecting to power source and/or battery pack, picking up or carrying the tool.** Carrying power tools with your finger on the switch or energizing power tools that have the switch on invites accidents.
- d) **Remove any adjusting key or wrench before turning the power tool on.** A wrench or a key that is left attached to a rotating part of the power tool may result in personal injury.
- e) **Do not overreach. Keep proper footing and balance at all times.** This enables better control of the power tool in unexpected situations.
- f) **Dress properly. Do not wear loose clothing or jewelry. Keep your hair, clothing, and gloves away from moving parts.** Loose clothes, jewelry, or long hair can be caught in moving parts.

- g) If devices are provided for the connection of dust extraction and collection facilities, ensure these are connected and properly used.** Use of dust collection can reduce dust-related hazards.
- 4) Power tool use and care**
- a) Do not force the power tool. Use the correct power tool for your application.** The correct power tool will do the job better and safer at the rate for which it is designed.
- b) Do not use the power tool if the switch does not turn it on or off.** Any power tool that cannot be controlled with the switch is dangerous and must be repaired.
- c) Disconnect the plug from the power source and/or the battery pack from the power tool before making any adjustments, changing accessories, or storing power tools.** Such preventive safety measures reduce the risk of starting the power tool accidentally.
- d) Store idle power tools out of the reach of children and do not allow persons unfamiliar with the power tool or these instructions to operate the power tool.** Power tools are dangerous in the hands of untrained users.
- e) Maintain power tools. Check for misalignment or binding of moving parts, breakage of parts and any other condition that may affect the power tool's operation. If damaged, have the power tool repaired before use.** Many accidents are caused by poorly maintained power tools.
- f) Keep cutting tools sharp and clean.** Properly maintained cutting tools with sharp cutting edges are less likely to bind and are easier to control.
- g) Use the power tool, accessories, tool bits etc. in accordance with these instructions, taking into account the working conditions and the work to be performed.** Use of the power tool for operations different from those intended could result in a hazardous situation.

5) Service

- a) Have your power tool serviced by a qualified repair person using only identical replacement parts.** This will ensure that the safety of the power tool is maintained.

Power Tool-specific Safety Warnings

GSB 13/GSB 13 RE/GSB 16/GSB 16 RE

- ▶ **Use the auxiliary handle supplied with the power tool.** Loss of control over the power tool can cause personal injury.
- ▶ **When working with the power tool, always hold it firmly with both hands and provide for a secure stance.** The power tool is guided more secure with both hands.

GSB 10/GSB 10 RE/GSB 13/GSB 13 RE/GSB 16/GSB 16 RE

- ▶ **Wear hearing protection when using impact drills.** The influence of noise can lead to loss of hearing.
- ▶ **Use suitable detectors to determine if utility lines are hidden in the work area or call the local utility company for assistance.** Contact with electric lines can lead to fire and electric shock. Damaging a gas line can lead to explosion. Penetrating a water line causes property damage.
- ▶ **Switch off the power tool immediately when the tool insert jams. Be prepared for high reaction torque that can cause kickback.** The tool insert jams when:
 - the power tool is subject to overload or
 - it becomes wedged in the workpiece.
- ▶ **Hold the power tool only by the insulated gripping surfaces when performing an operation where the cutting tool may contact hidden wiring or its own power cord.** Contact with a "live" wire will also make exposed metal parts of the power tool "live" and shock the operator.

8 | English

- ▶ **When working with the power tool, always hold it firmly with both hands and provide for a secure stance.** The power tool is guided more secure with both hands.
- ▶ **Secure the workpiece.** A workpiece clamped with clamping devices or in a vice is held more secure than by hand.
- ▶ **Keep your workplace clean.** Blends of materials are particularly dangerous. Dust from light alloys can burn or explode.
- ▶ **Always wait until the power tool has come to a complete stop before placing it down.** The tool insert can jam and lead to loss of control over the power tool.
- ▶ **Do not use the power tool with a damaged cord. Do not touch the damaged cord and pull the plug from the outlet when the cord is damaged while working.** Damaged cords increase the risk of an electric shock.

Functional Description



Read all safety warnings and all instructions. Failure to follow the warnings and instructions may result in electric shock, fire and/or serious injury.

While reading the operating instructions, unfold the graphics page for the tool and leave it open.

Intended Use

The machine is intended for impact drilling in brick, concrete and stone as well as for drilling in wood, metal and plastic. Machines with electronic control and right/left rotation are also suitable for driving screws in/out and thread-cutting.

Product Features

The numbering of the product features refers to the illustration of the power tool on the graphics page.

- 1 Keyless chuck*
- 2 Front sleeve
- 3 Rear sleeve
- 4 "Drilling/Impact Drilling" selector switch
- 5 Lock-on button for On/Off switch
- 6 On/Off switch
- 7 Dial control for speed preselection (GSB 16 RE)
- 8 Rotational direction switch (GSB 10 RE/GSB 13 RE/GSB 16 RE)
- 9 Button for depth stop adjustment
- 10 Wing bolt for adjustment of auxiliary handle
- 11 Auxiliary handle*
- 12 Depth stop*
- 13 Chuck key*
- 14 Key-type drill chuck*
- 15 Universal bit holder*
- 16 Screwdriver bit*
- 17 Hex key**
- 18 Open-end wrench**

***The accessories illustrated or described are not included as standard delivery.**

****Commercially available (not included in the delivery scope)**

Technical Data

Hammer Drill	GSB ... Professional	10	10 RE	13	13 RE	16	16 RE
Article number	3 601 ...	B16 0..	B16 1..	B17 0..	B17 1..	B18 0..	B18 1..
Rated power input	W	500	500	600	600	701	701
Output power	W	250	250	301	301	351	351
No-load speed	rpm	2600	0–2600	2800	0–2800	3000	0–3000
Rotational speed under load (max.)	rpm	1610	1610	1570	1570	1640	1640
Impact rate	bpm	25700	25700	25070	25070	26270	26270
Rated torque	Nm	1.5	1.5	1.8	1.8	2.0	2.0
Speed Preselection		–	–	–	–	–	●
Right/left rotation		–	●	–	●	–	●
Spindle collar dia.	mm	43	43	43	43	43	43
Max. drilling dia.							
– Concrete	mm	10	10	13	13	16	16
– Steel	mm	8	8	10	10	12	12
– Wood	mm	20	20	25	25	30	30
Chuck clamping range	mm	1.5–10	1.5–10	1.5–13	1.5–13	1.5–13	1.5–13
Weight according to EPTA-Procedure 01/2003	kg	1.5	1.5	1.7	1.7	1.9	1.9
Protection class		□/II	□/II	□/II	□/II	□/II	□/II

The values given are valid for nominal voltages [U] of 230/240 V. For lower voltages and models for specific countries, these values can vary.

Please observe the article number on the type plate of your power tool. The trade names of individual tools may vary.

Assembly

Auxiliary Handle (see figure A) (GSB 13/ GSB 13 RE/ GSB 16/ GSB 16 RE)

- **Operate your power tool only with the auxiliary handle 11.**

The auxiliary handle **11** can be set to any position for a secure and low-fatigue working posture.

Turn the wing bolt for adjustment of the auxiliary handle **10** in counterclockwise direction and set the auxiliary handle **11** to the required position. Then tighten the wing bolt **10** again in clockwise direction.

Adjusting the Drilling Depth (see figure A)

The required drilling depth **X** can be set with the depth stop **12**.

Press the button for the depth stop adjustment **9** and insert the depth stop into the auxiliary handle **11**.

Pull out the depth stop until the distance between the tip of the drill bit and the tip of the depth stop correspond with the desired drilling depth **X**.

Changing the Tool

- ▶ **Before any work on the power tool itself, pull the mains plug.**

Keyless Chuck (see figure B)

Hold the rear sleeve **3** of the keyless chuck **1** tightly and turn the front sleeve **2** in rotation direction **⌚**, until the tool can be inserted. Insert the tool.

Hold the rear sleeve **3** of the keyless chuck **1** tight and firmly turn the front sleeve **2** in rotation direction **⌚** by hand until the locking action is no longer heard. This automatically locks the drill chuck.

The locking is released again to remove the tool when the front sleeve **2** is turned in the opposite direction.

Key-type Drill Chuck (see figure C)

- ▶ **Wear protective gloves when changing the tool.** The drill chuck can become very hot during longer work periods.

Open the key-type drill chuck **14** by turning until the tool can be inserted. Insert the tool.

Insert the chuck key **13** into the corresponding holes of the key-type drill chuck **14** and clamp the tool uniformly.

Screwdriver Tools (see figure D)

When working with screwdriver bits **16**, a universal bit holder **15** should always be used. Use only screwdriver bits that fit the screw head.

For driving screws, always position the "Drilling/Impact Drilling" selector switch **4** to the "Drilling" symbol.

Replacing the Drill Chuck

- ▶ **Before any work on the power tool itself, pull the mains plug.**

Removing the Drill Chuck (see figure E)

To dismount the keyless chuck **1**, clamp a hex key **17** into the keyless chuck **1** and position an open-end wrench **18** (size 12 mm) against the wrench flats of the drive spindle. Place the machine on a firm support, e.g., a workbench. Hold the open-end wrench **18** firmly and loosen the keyless chuck **1** by turning the hex key **17** in rotation direction **⌚**. Loosen a tight seated keyless chuck by giving the long end of the hex key **17** a blow. Remove the hex key from the keyless chuck and completely unscrew the keyless chuck.

The key-type drill chuck **14** is removed in the same manner as the keyless chuck.

Mounting the Drill Chuck (see figure F)

The keyless chuck/key-type drill chuck is mounted in reverse order.

! The drill chuck must be tightened with a tightening torque of approx. 30–35 Nm.

Dust/Chip Extraction

- ▶ Dusts from materials such as lead-containing coatings, some wood types, minerals and metal can be harmful to one's health. Touching or breathing-in the dusts can cause allergic reactions and/or lead to respiratory infections of the user or bystanders. Certain dusts, such as oak or beech dust, are considered as carcinogenic, especially in connection with wood-treatment additives (chromate, wood preservative). Materials containing asbestos may only be worked by specialists.
 - Use dust extraction whenever possible.
 - Provide for good ventilation of the working place.
 - It is recommended to wear a P2 filter-class respirator.

Observe the relevant regulations in your country for the materials to be worked.

Operation

Starting Operation

- **Observe correct mains voltage! The voltage of the power source must agree with the voltage specified on the type plate of the power tool.**

Reversing the Rotational Direction (see figures G–H) (GSB 10 RE/GSB 13 RE/GSB 16 RE)

The rotational direction switch **8** is used to reverse the rotational direction of the machine. However, this is not possible with the On/Off switch **6** actuated.

Right Rotation: For drilling and driving in screws, push the rotational direction switch **8** left to the stop.

Left Rotation: For loosening and unscrewing screws and nuts, press the rotational direction switch **8** through to the right stop.

Switching On and Off

To **start** the power tool, press the On/Off switch **6** and keep it pressed.

To lock the **pressed** On/Off switch **6**, press the lock-on button **5**.

To **switch off** the power tool, release the On/Off switch **6** or when it is locked with the lock-on button **5**, briefly press the On/Off switch **6** and then release it.

Adjusting the Speed/Impact Frequency (GSB 10 RE/GSB 13 RE/GSB 16 RE)

The speed/impact rate of the switched on power tool can be variably adjusted, depending on how far the On/Off switch **6** is pressed.

Light pressure on the On/Off switch **6** results in low speed/impact rate. Further pressure on the switch increases the speed/impact rate.

Preselecting the Speed/Impact Frequency (GSB 16 RE)

With the dial control for speed preselection **7**, the required speed/impact frequency can be pre-selected even during operation.

The required speed/impact frequency depends on the material and the working conditions, and can be determined through practical testing.

Setting the Operating Mode



Drilling and Screwdriving

Set the selector switch **4** to the “Drilling” symbol.



Hammer Drilling

Set the selector switch **4** to the “Hammer drilling” symbol.

The selector switch **4** engages noticeably and can also be actuated with the machine running.

Working Instructions

- **Apply the power tool to the screw/nut only when it is switched off.** Rotating tool inserts can slip off.

Tips

After longer periods of working at low speed, allow the machine to cool down by running it for approx. 3 minutes at maximum speed with no load.

For drilling in tiles, set the selector switch **4** to the “Drilling” symbol. Do not switch over to the symbol “Impact Drilling” or work with impact until after drilling through the tile.

Use carbide tipped drill bits when working in concrete, masonry and brick wall.

For drilling in metal, use only perfectly sharpened HSS drill bits (HSS = High Speed Steel). The appropriate quality is guaranteed by the Bosch accessories program.

Twist drills from 2.5–10 mm can easily be sharpened with the drill bit sharpener (see accessories).

GSB 16 RE

We recommend the use of a drill stand (see accessories) for work where greater precision is particularly required.

The machine vice, which is available as an accessory, enables secure clamping of workpieces. This prevents the workpiece from turning and any accidents this would cause.

Maintenance and Service

Maintenance and Cleaning

- ▶ **Before any work on the power tool itself, pull the mains plug.**
- ▶ **For safe and proper working, always keep the power tool and the ventilation slots clean.**

If the power tool should fail despite the care taken in manufacturing and testing procedures, repair should be carried out by an after-sales service center for Bosch power tools.

In all correspondence and spare parts orders, please always include the 10-digit article number given on the type plate of the power tool.

After-sales service and customer assistance

Our after-sales service responds to your questions concerning maintenance and repair of your product as well as spare parts. Exploded views and information on spare parts can also be found under:

www.bosch-pt.com

Our customer consultants answer your questions concerning best buy, application and adjustment of products and accessories.

In case of a claim, repair or purchase of replacement parts or in case of queries or other problems, please contact your local dealer or Bosch representative.

People's Republic of China

Website: www.bosch-pt.com.cn

China Mainland

Bosch Power Tools (China) Co., Ltd.
567, Bin Kang Road
Bin Jiang District 310052
Hangzhou, P.R.China
Service Hotline: 800 8 20 84 84
Tel.: +86 (571) 87 77 43 38
Fax: +86 (571) 87 77 45 02

HK and Macau Special Administrative Regions

Melchers (H.K.) Ltd, Room 1210
Shun Tak Centre, West-Tower
168 – 200 Connaught Road, Central Hong Kong
Customer Service Hotline: +852 (25) 89 15 61
Fax: +852 (25) 48 79 14
E-Mail: bosch@melchers.com.hk

Indonesia

PT. Multi Tehaka
Kawasan Industri Pulogadung
Jalan Rawa Gelam III No. 2
Jakarta 13930
Indonesia
Tel.: +62 (21) 4 60 12 28
Fax: +62 (21) 46 82 68 23
E-Mail: sales@multitehaka.co.id
www.multitehaka.co.id

Phillippines

Robert Bosch, Inc.
Zuellig Building
Sen. Gil Puyat Avenue
Makati City 1200, Metro Manila
Philippines
Tel.: +63 (2) 8 17 32 31
www.bosch.com.ph

Malaysia

Robert Bosch (SEA.) Pte. Ltd.
No. 8a, Jalan 13/6
46200 Petaling Jaya,
Selangor,
Malaysia
Tel.: +6 (03) 7966 3000
Fax: +6 (03) 7958 3838
E-Mail: hengsiang.yu@my.bosch.com
Toll Free tel.: 1 800 880 188
Fax: +6 (03) 7958 3838
www.bosch.com.sg

Thailand

Robert Bosch Ltd.
Liberty Square Building
No. 287, 11 Floor
Silom Road, Bangrak
Bangkok 10500
Tel.: +66 (2) 6 31 18 79 – 18 88 (10 lines)
Fax: +66 (2) 2 38 47 83
Robert Bosch Ltd., P. O. Box 2054
Bangkok 10501, Thailand
Bosch Service – Training Centre
2869-2869/1 Soi Ban Kluay
Rama IV Road (near old Paknam Railway)
Prakanong District
10110 Bangkok
Thailand
Tel.: +66 (2) 6 71 78 00 – 4
Fax: +66 (2) 2 49 42 96
Fax: +66 (2) 2 49 52 99

Singapore

Robert Bosch (SEA.) Pte. Ltd.
38 C Jalan Pemimpin
Singapore 915701
Republic of Singapore
Tel.: +65 (3) 50 54 94
Fax: +65 (3) 50 53 27
www.bosch.com.sg

Vietnam

Robert Bosch (SEA) Pte. Ltd – Vietnam
Representative Office
Saigon Trade Center, Suite 1206
37 Ton Duc Thang Street,
Ben Nghe Ward, District 1
HCMC
Vietnam
Tel.: +84 (8) 9111 374 – 9111 375
Fax: +84 (8) 9111376

Australia, New Zealand and Pacific Islands

Robert Bosch Australia Pty. Ltd.
Power Tools
Locked Bag 66
Clayton South VIC 3169
Customer Contact Center
Inside Australia:
Phone: +61 (01300) 307 044
Fax: + 61 (01300) 307 045
Inside New Zealand:
Phone: +64 (0800) 543 353
Fax: +64 (0800) 428 570
Outside AU and NZ:
Phone: +61 (03) 9541 5555
www.bosch.com.au

Disposal

Power tools, accessories and packaging should be sorted for environmental-friendly recycling.

Subject to change without notice.

针对电动工具的一般性警告提示

警告 阅读所有的警告提示和指示。如未确实遵循警告提示和指示，可能导致电击、火灾并且 / 或其他的严重伤害。

妥善保存所有的警告提示和指示，以便日后查阅。

在警告提示和指示中使用的“电动工具”是指必须连接电源的电动工具（配备电线）和使用蓄电池的电动工具（无电线）。

1) 工作场所的安全规章

- a) 工作场所必须保持乾淨并且照明要充足。杂乱或昏暗的工作场所容易导致意外。
- b) 不可在有爆炸危险的环境下操作本电动工具。有爆炸危险的环境是指充斥了易燃液体、瓦斯或尘埃的工作场所。操作机器时会产生火花，火花容易引燃尘埃或易燃蒸汽。
- c) 操作机器时不可让儿童或旁观者靠近工作场所。工作时如果因为第三者的干扰而分散注意力可能导致操作失控。

2) 使用电器用品的安全指示

- a) 使用的插座必须能够配合电动工具的插头。切勿擅自更改插头。转接插头不可以和接了地线的电动工具一起使用。使用机器出厂时的原装插头和合适的插座可以降低遭受电击的危险。
- b) 避免让身体接触接地的物体，例如水管、散热器、电炉和冰箱等。如果您的身体接地了，非常容易遭受电击。
- c) 机器必须远离雨水或湿气。如果让水渗入电动工具中，会提高操作者遭受电击的危险。
- d) 正确地处理电线。不可以使用电线提携电动工具、悬挂电动工具或者以抽拉电线的方式拔出插头。电线必须远离高温、油垢、锋利的边缘或转动中的机件。电线如果受损或缠绕在一起，会提高操作者遭受电击的危险。
- e) 如果在户外使用电动工具，只能使用合适的户外专用延长线。使用合格的户外专用延长线，可降低操作者遭受电击的危险。
- f) 如果无法避免的，必须在潮湿的环境中使用本电动工具，得使用剩馀电流保护开关。使用剩馀电流保护开关可以预防遭受电击。

3) 针对操作者的安全指示

- a) 工作时务必要全神贯注，不但要保持头脑清醒更要理性地操作电动工具。疲惫、喝酒或服用毒品、兴奋剂、药物之后，切勿操作电动工具。使用电动工具时只要稍微分心便可能发生后果严重的意外。
- b) 穿好您个人的防护装备並戴上护目镜。根据所使用的电动工具穿戴合适的防护装备，例如防尘面罩、止滑工作鞋、安全帽或耳罩，可降低工作伤害的发生机率。
- c) 避免意外启动机器。插上插头并且 / 或安装蓄电池之前，提起或搬运机器之前，必须先检查电动工具是否处在关闭状况。如果您在提携电动工具时，手指碰触了开关，或著在连接电源时，起停开关仍然设定在开动位置，都可能造成极严重的意外。
- d) 开动电动工具之前必须拆除仍然插在机器上的调整工具 / 或螺丝扳手。如果机器已经开始转动，而机器上仍然插著调整工具，很容易伤害使用者。
- e) 避免错误的持机姿势。操作机器时要确保立足稳固，並要随时保持平衡。正确的操作姿势能够帮助您在突发状况下及时控制住电动工具。
- f) 穿著合适的工作服。工作时不可以穿太宽松的衣物，也不可以戴首饰。不可以让头髮、衣服和手套接触机器上的转动机件。宽松的衣物、长髮或首饰容易被捲入转动的机件中。
- g) 如果能够在机器上安装吸尘装置、集尘装备，务必按照指示安装此类辅助工具，並且正确地操作该装置。使用吸尘装备可以防止工作尘危害人体。

4) 小心地使用和处理电动工具

- a) 勿让机器承载过重的负荷。根据工作性质选择适合的电动工具。正确地选用电动工具可以在规定的功率范围中，更有效率更安全的操作机器。
- b) 勿使用开关故障的电动工具。如果无法正常操控起停开关，极容易在操作机器时产生意外。尽快将故障的机器送修。
- c) 在调整机器设定、更换零件或不使用机器时，都必须先从插座上拔出插头并且 / 或取出蓄电池。这个预防措施可以避免不小心开动电动工具。

- d) 不使用电动工具时，必须把机器存放在儿童无法取得之处。勿让不熟悉机器操作方法及未阅读本说明书的人使用本机器。让经验不足的人操作电动工具容易发生意外。
- e) 细心地保养、维护电动工具。检查机器上的转动零件是否运作正常，并确定是否有零件断裂或损坏。故障的机件会影响电动工具的运作功能。使用机器之前务必先更换或修理故障的机件。若未彻底执行机器的维护工作容易导致工作意外。
- f) 切割工具必须保持锋利、清洁。经过细心保养而且刀刃锋利的切割工具不易被夹住，而且较容易操作。
- g) 遵照这些指示使用电动工具、配件及安装在机器上的工具。另外也必须注意有关机器操作方式及机器适用范围的解说。如果使用电动工具执行不符合该机器性能的工作，极容易发生意外。
- 5) 检修服务
- a) 只能将电动工具交给合格的专业人员检修。检修时只能换装原厂零件、配件。唯有如此才能确保机器的安全性能。
- 如果安装在机器上的工具被夹住了，必须马上关闭电动工具并保持镇静。此时机器会产生极高的反应力矩，并进而造成回击。安装在机器上的工具容易被夹住如果：
- 电动工具超荷了，或者
 - 安装在机器上的工具在工件中歪斜了。
- 如果工作时可能切断隐藏着的电线或机器本身的电源线，那么一定要握紧绝缘手柄操作机器。电动工具如果接触了带电的线路，机器上的金属部件会导电，并可能造成操作者触电。
- 工作时必须用双手握紧电动工具，并且要确保立足稳固。使用双手比较能够握稳电动工具。
- 固定好工件。使用固定装置或老虎钳固定工件，会比用手持握工件更牢固。
- 工作场所必须保持清洁。不同的工作尘经过混合后容易产生化学反应，十分危险。轻金属尘容易着火或引起爆炸。
- 等待电动工具完全静止后才能够放下机器。机器上的工具可能在工作中被夹住，而令您无法控制电动工具。
- 勿使用电线已经损坏的电动工具。如果电源电线在工作中受损，千万不可触摸损坏的电线，并马上拔出插头。损坏的电线会提高使用者触电的危险。

针对机器的安全指示

GSB 13/GSB 13 RE/GSB 16/GSB 16 RE

- 请使用电动工具附带的辅助手柄。如果无法控制好电动工具容易造成伤害。
- 工作时必须用双手握紧电动工具，并且要确保立足稳固。使用双手比较能够握稳电动工具。

GSB 10/GSB 10 RE/GSB 13/GSB 13 RE/GSB 16/GSB 16 RE

- 使用冲击电钻时请佩戴耳罩。噪音会损坏您的听力。
- 使用合适的侦测器，以便找出隐藏着的电源线的位置。或者向当地的供电单位索取相关资料。钻穿电线会造成火灾并遭受电击。损坏瓦斯管会引起爆炸。如果水管被刺穿了会导致财物损失。

功能解说



阅读所有的警告提示和指示。如未确实遵循警告提示和指示，可能导致电击、火灾并且/或其他的严重伤害。

翻开标示了机器详解图的折叠页。阅读操作指南时必须翻开折叠页参考。

按照规定使用机器

本机器适合在砖块、混凝土和石材上进行冲击钻。另外也可以在木材、金属、陶瓷和塑料上钻孔。配备电子调速装备和正/逆转功能的机型，也能够鬆/紧螺丝和攻牙。

16 | 中文

插图上的机件

机件的编号和电动工具详解图上的编号一致。

- 1 快速夹头*
- 2 前套筒
- 3 后套筒
- 4 "正常钻 / 冲击钻" 的转换开关
- 5 起停开关的锁紧键
- 6 起停开关
- 7 设定转速的指拨轮 (GSB 16 RE)
- 8 逆转开关 (GSB 10 RE/GSB 13 RE/GSB 16 RE)
- 9 调整深度尺的按键

10 调整辅助手柄的蝶翼螺丝

11 辅助手柄*

12 深度尺*

13 夹头扳手*

14 齿环夹头*

15 通用批嘴连杆*

16 螺丝批嘴*

17 内六角扳手**

18 开口扳手**

*图表或说明上提到的附件，并非全部包含在供货范围中。

**可以在市面上购得（不包含在供货范围中）。

技术数据

冲击电钻	GSB ... Professional	10	10 RE	13	13 RE	16	16 RE
物品代码	3 601 ...	B16 0..	B16 1..	B17 0..	B17 1..	B18 0..	B18 1..
额定输入功率	瓦	500	500	600	600	701	701
输出功率	瓦	250	250	301	301	351	351
无负载转速	次 / 分	2600	0-2600	2800	0-2800	3000	0-3000
最大负载转速	次 / 分	1610	1610	1570	1570	1640	1640
冲击次数	次 / 分	25700	25700	25070	25070	26270	26270
额定扭力	牛·米	1,5	1,5	1,8	1,8	2,0	2,0
设定转速		-	-	-	-	-	●
正 / 逆转功能		-	●	-	●	-	●
主轴颈直径	毫米	43	43	43	43	43	43
最大钻孔直径							
- 混凝土	毫米	10	10	13	13	16	16
- 钢	毫米	8	8	10	10	12	12
- 木材	毫米	20	20	25	25	30	30
夹头的夹紧范围	毫米	1,5-10	1,5-10	1,5-13	1,5-13	1,5-13	1,5-13
重量符合 EPTA-Procedure 01/2003	公斤	1,5	1,5	1,7	1,7	1,9	1,9
绝缘等级		□/II	□/II	□/II	□/II	□/II	□/II

本说明书提供的参数是以 230/240 V 为依据，於低电压地区，此数据有可能不同。

请认清电动工具铭牌上的物品代码。电动工具在销售市场上没有统一的商品名称。

安装

辅助手柄（参考插图 A） (GSB 13/GSB 13 RE/GSB 16/GSB 16 RE)

▶ 操作电动工具时必须使用辅助手柄 11。

您可以根据需要改变辅助手柄 11 的位置，以提高工作安全和增加工作的舒适性。

朝着逆时针的方向拧转调整辅助手柄的蝶翼螺丝 10，把辅助手柄 11 摆动到需要的位置上，接著再顺着时钟的转向拧紧调整辅助手柄的蝶翼螺丝 10。

调整钻深（参考插图 A）

使用深度尺 12 可以设定需要的钻深 X。

按下调整深度尺的按键 9，再把深度尺装入辅助手柄 11 中。

适当调整深度尺，从钻咀尖端到深度尺尖端的距离必须和需要的钻深 X 一致。

更换工具

▶ 维修电动工具或换装零、配件之前，务必从插座上拔出插头。

快速夹头（参考插图 B）

握紧快速夹头 1 的后套筒 3，朝着 ① 的方向拧转前套筒 2，必须拧转至能够装入工具为止。安装好工具。

握牢快速夹头 1 上的后套筒 3，接著再朝着转向 ② 用力地拧转前套筒 2，必须拧转至不再听见齿轮滑开的磨擦声为止。此时夹头已经自动锁定。

当您在拆卸工具时，反向拧转前套筒 2，锁定便自动解除。

齿环夹头（参考插图 C）

▶ **更换工具时必须佩戴手套。**长期工作之后夹头会变得十分炽热。

转动齿环夹头 14 至能够装入工具为止，安装好工具。

把夹头扳手 13 插入夹头 14 上的收紧孔中，並正确地夹紧工具。

起子机的工具（参考插图 D）

以螺丝批嘴 16，作业时，一定要使用通用批嘴连杆 15。只能选用能够配合螺丝头的螺丝批嘴。

旋转螺丝时必须把“正常钻 / 冲击钻”的转换开关 4 调整到“正常钻”的符号上。

更换夹头

▶ 维修电动工具或换装零、配件之前，务必从插座上拔出插头。

拆卸夹头（参考插图 E）

拆卸快速夹头 1 时必须把内六角扳手 17 固定在快速夹头 1 上。并且把开口扳手 18（开口 12 毫米）固定在主轴上的扳手安装位置。把电动工具放在稳固的底座上，例如工作台。握牢开口扳手 18，朝着转向 ① 拧转内六角扳手 17 便可以放松快速夹头 1。如果快速夹头卡住了，轻敲内六角扳手 17 的长端便可以放松夹头。从快速夹头上拔出内六角扳手，接著再拧转取出快速夹头。

采用拆卸快速夹头的方式，拆卸齿环夹头 14。

安装夹头（参考插图 F）

以相反的步骤安装快速夹头 / 齿环夹头。



使用约 30-35 牛顿米的拉紧扭力拧紧夹头。

吸锯尘 / 吸锯屑

▶ 含铅的颜料以及某些木材、矿物和金属的加工废尘有害健康。机器操作者或者工地附近的人如果接触、吸入这些废尘，可能会有过敏反应或者感染呼吸道疾病。

某些尘埃（例如加工橡木或山毛榉的废尘）可能致癌，特别是和处理木材的添加剂（例如木材的防腐剂等）结合之后。只有经过专业训练的人才能够加工含石棉的物料。

- 工作时尽可能使用吸尘装备。
- 工作场所要保持空气流通。
- 最好佩戴 P2 滤网等级的口罩。

请留心并遵守贵国和加工物料有关的法规。

操作

操作机器

- ▶ **注意电源的电压！** 电源的电压必须和电动工具铭牌上标示的电压一致。

改变转向（参考插图 G-H） (GSB 10 RE/GSB 13 RE/GSB 16 RE)

使用正逆转开关 **8** 可以改变机器的转向。如果按住了起停开关 **6**，则无法改变转向。

正转：适用于正常钻和转紧螺丝时，把正逆转开关 **8** 向左推到底。

逆转：适用于放鬆 / 转出螺丝和螺母，把正逆转开关 **8** 向右推到底。

开动 / 关闭

操作电动工具 时先按下电动工具的起停开关 **6**，並持续按著。

按下锁紧键 **5** 即可**锁定**被按住的起停开关 **6**。

放开起停开关 **6** 即可**关闭**电动工具。如果起停开关被锁紧键 **5** 固定了，先按下起停开关 **6** 並随即将其放开。

调整转速 / 冲击次数 (GSB 10 RE/GSB 13 RE/GSB 16 RE)

随著在起停开关 **6** 上施压大小，可以无级式地提高或降低转速 / 冲击次数。

轻按起停开关 **6**，机器以低转速 / 冲击次数运作。增强施加在起停开关上的压力，可以提高机器的转速 / 冲击次数。

设定转速 / 冲击次数 (GSB 16 RE)

使用指拨轮 **7** 可以设定需要的转速 / 冲击次数。即使在机器运作中也可以改变转速 / 冲击次数。

正确的转速 / 冲击次数必须视加工物料和工作状况而定，唯有实际操作才能够得到最合适的结果。

设定操作模式



正常钻和旋转螺丝

把转换开关 **4** 调整到 " 正常钻 " 的符号上。



冲击钻

把转换开关 **4** 设定在 " 冲击钻 " 的符号上。

在设定的过程中，可以明显地感觉到转换开关 **4** 齿合。机器运作中也可以进行调整。

有关操作方式的指点

- ▶ **先关闭电动工具，然后再把工具放置在螺母 / 螺丝上。** 安装在接头上的工具如果仍继续转动，容易从螺丝头上滑开。

建议

在机器以低转速长期运作之后，可让机器在空载的状况下，以最高转速旋转 **3** 分钟，以加速冷却。

在瓷砖上钻孔时，必须把转换开关 **4** 调整在 " 正常钻 " 的符号上。待穿透瓷砖后，再把转换开关调整在 " 冲击钻 " 的符号上，並以冲击钻的功能继续作业。

在混凝土、石材和砖墙上钻孔时，必须使用硬金属钻头。

在金属上钻孔时只能使用完好，经过研磨的 HSS 钻头（HSS = 高效率高速钢）。在博世的附件产品系列中，有符合这个品质等级的产品。

使用钻头研磨器（参考附件），可轻易地补磨 **2,5-10** 毫米的麻花钻头。

GSB 16 RE

进行精密的钻孔工作时，最好使用钻床架（参考附件）。

机器台钳属于附件，能够牢牢地夹住工件。它可以避免工件滑动，並能够防止因为工件走滑而发生的意外。

维修和服务

维修和清洁

- ▶ **维修电动工具或换装零、配件之前，务必从插座上拔出插头。**
- ▶ **电动工具和通风间隙都必须保持清洁，这样才能够提高工作品质和安全性。**

本公司生产的电动工具都经过严密的品质检验，如果机器仍然发生故障，请将机器交给博世电动工具公司授权的顾客服务处修理。

询问和订购备件时，务必提供机器铭牌上标示的 10 位数物品代码。

顾客服务处和顾客咨询中心

本公司顾客服务处负责回答有关本公司产品的修理，维护和备件的问题。以下的网页中有爆炸图和备件的资料：
www.bosch-pt.com

博世顾客咨询团队非常乐意为您解答有关购买，使用和设定本公司产品及附件的问题。

有关保证，维修或更换零件事宜，请向合格的经销商查询。

中国大陆

博世电动工具（中国）有限公司
中国 浙江省 杭州市
滨江区滨康路 567 号
邮政编码：310052
免费服务热线：800 820 8484
传真：+86 (571) 8777 4502
电邮：service.hz@cn.bosch.com
电话：+86 571 8777 4338
传真：+86 571 8777 4502
电邮：service.hz@cn.bosch.com
www.bosch-pt.com.cn

处理废弃物

必须以符合环保的方式，回收再利用损坏的机器、附件和废弃的包装材料。

保留修改权。

針對電動工具的一般性警告提示

警告 閱讀所有的警告提示和指示。如未確實遵循警告提示和指示，可能導致電擊、火災並且 / 或其他的嚴重傷害。

妥善保存所有的警告提示和指示，以便日後查閱。

在警告提示和指示中使用的 " 電動工具 " 是指必須連接電源的電動工具（配備電線）和使用蓄電池的電動工具（無電線）。

1) 工作場所的安全規章

- a) 工作場所必須保持乾淨並且照明要充足。雜亂或昏暗的工作場所容易導致意外。
- b) 不可在有爆炸危險的環境下操作本電動工具。有爆炸危險的環境是指充斥了易燃液體、瓦斯或塵埃的工作場所。操作機器時會產生火花，火花容易引燃塵埃或易燃蒸汽。
- c) 操作機器時不可讓兒童或旁觀者靠近工作場所。工作時如果因為第三者的干擾而分散注意力可能導致操作失控。

2) 使用電器用品的安全指示

- a) 使用的插座必須能夠配合電動工具的插頭。切勿擅自更改插頭。轉接插頭不可以和接了地線的電動工具一起使用。使用機器出廠時的原裝插頭和合適的插座可以降低遭受電擊的危險。
- b) 避免讓身體碰觸接地的物體，例如水管、散熱器、電爐和冰箱等。如果您的身體接地了，非常容易遭受電擊。
- c) 機器必須遠離雨水或濕氣。如果讓水滲入電動工具中，會提高操作者遭受電擊的危險。
- d) 正確地處理電線。不可以使用電線提攜電動工具、懸掛電動工具或者以抽拉電線的方式拔出插頭。電線必須遠離高溫、油垢、鋒利的邊緣或轉動中的機件。電線如果受損或纏繞在一起，會提高操作者遭受電擊的危險。
- e) 如果在戶外使用電動工具，只能使用合適的戶外專用延長線。使用合格的戶外專用延長線，可降低操作者遭受電擊的危險。
- f) 如果無法避免的，必須在潮濕的環境中使用本電動工具，得使用剩餘電流保護開關。使用剩餘電流保護開關可以預防遭受電擊。

3) 針對操作者的安全指示

- a) 工作時務必全神貫注，不但要保持頭腦清醒更要理性地操作電動工具。疲憊、喝酒或服用毒品、興奮劑、藥物之後，切勿操作電動工具。使用電動工具時只要稍微分心便可能發生後果嚴重的意外。
- b) 穿好您個人的防護裝備並戴上護目鏡。根據所使用的電動工具穿戴合適的防護裝備，例如防塵面罩、止滑工作鞋、安全帽或耳罩，可降低工作傷害的發生機率。
- c) 避免意外啟動機器。插上插頭並且 / 或安裝蓄電池之前，提起或搬運機器之前，務必先檢查電動工具是否處在關閉狀況。如果您在提攜電動工具時，手指碰觸了開關，或著在連接電源時，起停開關仍然設定在開動位置，都可能造成極嚴重的意外。
- d) 開動電動工具之前必須拆除仍然插在機器上的調整工具 / 或螺絲扳手。如果機器已經開始轉動，而機器上仍然插著調整工具，很容易傷害使用者。
- e) 避免錯誤的持機姿勢。操作機器時要確立足穩固，並要隨時保持平衡。正確的操作姿勢能夠幫助您在突發狀況下及時控制住電動工具。
- f) 穿著合適的工作服。工作時不可以穿太寬鬆的衣服，也不可以戴首飾。不可以讓頭髮、衣服和手套接觸機器上的轉動機件。寬鬆的衣物、長髮或首飾容易被捲入轉動的機件中。
- g) 如果能夠在機器上安裝吸塵裝置、集塵裝備，務必按照指示安裝此類輔助工具，並且正確地操作該裝置。使用吸塵裝備可以防止工作塵危害人體。

4) 小心地使用和處理電動工具

- a) 勿讓機器承載過重的負荷。根據工作性質選擇適合的電動工具。正確地選用電動工具可以在規定的功率範圍中，更有效率更安全的操作機器。
- b) 勿使用開關故障的電動工具。如果無法正常操作起停開關，極容易在操作機器時產生意外。盡快將故障的機器送修。
- c) 在調整機器設定、更換零件或不使用機器時，都必須先從插座上拔出插頭並且 / 或取出蓄電池。這個預防措施可以避免不小心開動電動工具。

- d) 不使用電動工具時，必須把機器存放在兒童無法取得之處。勿讓不熟悉機器操作方法及未閱讀本說明書的人使用本機器。讓經驗不足的人操作電動工具容易發生意外。
- e) 細心地保養、維護電動工具。檢查機器上的轉動零件是否運作正常，並確定是否有零件斷裂或損壞。故障的機件會影響電動工具的運作功能。使用機器之前務必先更換或修理故障的機件。若未徹底執行機器的維護工作容易導致工作意外。
- f) 切割工具必須保持鋒利、清潔。經過細心保養而且刀鋒利的切割工具不易被夾住，而且較容易操作。
- g) 遵照這些指示使用電動工具、配件及安裝在機器上的工具。另外也必須注意有關機器操作方式及機器適用範圍的解說。如果使用電動工具執行不符合該機器性能的工作，極容易發生意外。
- 5) 檢修服務
- a) 只能將電動工具交給合格的專業人員檢修。檢修時只能換裝原廠零、配件。唯有如此才能確保機器的安全性能。
- ▶ 如果安裝在機器上的工具被夾住了，必須馬上關閉電動工具並保持鎮靜。此時機器會產生極高的反應力矩，並進而造成回擊。安裝在機器上的工具容易被夾住如果：
- 電動工具超荷了，或者
 - 安裝在機器上的工具在工件中歪斜了。
- ▶ 如果工作時可能割斷隱藏著的電線或機器本身的電源線，那麼一定要握著絕緣手柄操作機器。電動工具如果接觸了帶電的線路，機器上的金屬部件會導電，並可能造成操作者觸電。
- ▶ 工作時必須用雙手握緊電動工具，並且要確保立足穩固。使用雙手比較能夠握穩電動工具。
- ▶ 固定好工件。使用固定裝置或老虎鉗固定工件，會比用手持握工件更牢固。
- ▶ 工作場所必須保持清潔。不同的工作塵經過混合後容易產生化學反應，十分危險。輕金屬塵容易著火或引起爆炸。
- ▶ 等待電動工具完全靜止後才能夠放下機器。機器上的工具可能在工作中被夾住，而令您無法控制電動工具。
- ▶ 勿使用電線已經損壞的電動工具。如果電源電線在工作中受損，千萬不可觸摸損壞的電線，並馬上拔出插頭。損壞的電線會提高使用者觸電的危險。

針對機器的安全指示

GSB 13/GSB 13 RE/GSB 16/GSB 16 RE

- ▶ 請使用電動工具附帶的輔助手柄。如果無法控制好電動工具容易造成傷害。
- ▶ 工作時必須用雙手握緊電動工具，並且要確保立足穩固。使用雙手比較能夠握穩電動工具。

GSB 10/GSB 10 RE/GSB 13/GSB 13 RE/GSB 16/GSB 16 RE

- ▶ 使用沖擊電鑽時請佩戴耳罩。噪音會損壞您的聽力。
- ▶ 使用合適的偵測器，以便找出隱藏著的電源線的位置。或者向當地的供電單位索取相關資料。鑽穿電線會造成火災並遭受電擊。損壞瓦斯管會引起爆炸。如果水管被刺穿了會導致財物損失。

功能解說



閱讀所有的警告提示和指示。如未確實遵循警告提示和指示，可能導致電擊、火災並且 / 或其他的嚴重傷害。

翻開標示了機器詳解圖的折疊頁。閱讀操作指南時必須翻開折疊頁參考。

按照規定使用機器

本機器適合在磚塊、混凝土和石材上進行沖擊鑽。另外也可以在木材、金屬、陶瓷和塑料上鑽孔。配備電子調速裝備和正 / 逆轉功能的機型，也能夠鬆 / 緊螺絲和攻牙。

22 | 中文

插圖上的機件

機件的編號和電動工具詳解圖上的編號一致。

- 1 快速夾頭*
- 2 前套筒
- 3 後套筒
- 4 " 正常鑽 / 沖擊鑽 " 的轉換開關
- 5 起停開關的鎖緊鍵
- 6 起停開關
- 7 設定轉速的指撥輪 (GSB 16 RE)
- 8 逆轉開關 (GSB 10 RE/GSB 13 RE/GSB 16 RE)
- 9 調整深度尺的按鍵

10 調整輔助手柄的蝶翼螺絲

11 輔助手柄*

12 深度尺*

13 夾頭扳手*

14 齒環夾頭*

15 通用批嘴連桿*

16 螺絲批嘴*

17 內六角扳手**

18 開口扳手**

*插圖中或說明書中提到的附件，並不包含在正常的供貨範圍中。

**可以在市面上購得（不包含在供貨範圍中）。

技術性數據

沖擊電鑽	GSB ... Professional	10	10 RE	13	13 RE	16	16 RE
物品代碼	3 601 ...	B16 0..	B16 1..	B17 0..	B17 1..	B18 0..	B18 1..
額定輸入功率	瓦	500	500	600	600	701	701
輸出功率	瓦	250	250	301	301	351	351
無負載轉速	次/分	2600	0-2600	2800	0-2800	3000	0-3000
最大負載轉速	次/分	1610	1610	1570	1570	1640	1640
沖擊次數	次/分	25700	25700	25070	25070	26270	26270
額定扭力	牛頓米	1,5	1,5	1,8	1,8	2,0	2,0
設定轉速		-	-	-	-	-	●
正 / 逆轉功能		-	●	-	●	-	●
主軸頸直徑	毫米	43	43	43	43	43	43
最大鑽孔直徑							
- 混凝土	毫米	10	10	13	13	16	16
- 鋼	毫米	8	8	10	10	12	12
- 木材	毫米	20	20	25	25	30	30
夾頭的夾緊範圍	毫米	1,5-10	1,5-10	1,5-13	1,5-13	1,5-13	1,5-13
重量符合 EPTA-Procedure 01/2003	公斤	1,5	1,5	1,7	1,7	1,9	1,9
絕緣等級		□/II	□/II	□/II	□/II	□/II	□/II

本說明書提供的參數是以 230/240 V 為依據，於低電壓地區，此數據有可能不同。

請認清電動工具銘牌上的物品代碼。電動工具在銷售市場上沒有統一的商品名稱。

安裝

輔助手柄 (參考插圖 A) (GSB 13/GSB 13 RE/GSB 16/GSB 16 RE)

▶ 操作電動工具時務必使用輔助手柄 11。

您可以根據需要改變輔助手柄 11 的位置，以提高工作安全和增加工作的舒適性。

朝著逆時鐘的方向擰轉調整輔助手柄的蝶翼螺絲 10，把輔助手柄 11 擺動到需要的位置上，接著再順著時鐘的轉向擰緊調整輔助手柄的蝶翼螺絲 10。

調整鑽深 (參考插圖 A)

使用深度尺 12 可以設定需要的鑽深 X。

按下調整深度尺的按鍵 9，再把深度尺裝入輔助手柄 11 中。

適當調整深度尺，從鑽咀尖端到深度尺尖端的距離必須和需要的鑽深 X 一致。

更換工具

▶ 維修電動工具或換裝零、配件之前，務必從插座上拔出插頭。

快速夾頭 (參考插圖 B)

握緊快速夾頭 1 的後套筒 3，朝著 ① 的方向擰轉前套筒 2，必須擰轉至能夠裝入工具為止。安裝好工具。

握牢快速夾頭 1 上的後套筒 3，接著再朝著轉向 ② 用力地擰轉前套筒 2，必須擰轉至不再聽見齒輪滑開的磨擦聲為止。此時夾頭已經自動鎖定。

當您在拆卸工具時，反向擰轉前套筒 2，鎖定便自動解除。

齒環夾頭 (參考插圖 C)

▶ 更換工具時必須佩戴手套。長期工作之後夾頭會變得十分熾熱。

轉動齒環夾頭 14 至能夠裝入工具為止，安裝好工具。

把夾頭扳手 13 插入夾頭 14 上的收緊孔中，並正確地夾緊工具。

起子機的工具 (參考插圖 D)

以螺絲批嘴 16 作業時，一定要使用通用批嘴連桿 15。只能選用能夠配合螺絲頭的螺絲批嘴。

旋轉螺絲時必須把“正常鑽 / 沖擊鑽”的轉換開關 4 調整到“正常鑽”的符號上。

更換夾頭

▶ 維修電動工具或換裝零、配件之前，務必從插座上拔出插頭。

拆卸夾頭 (參考插圖 E)

拆卸快速夾頭 1 時必須把內六角扳手 17 固定在快速夾頭 1 上。並且把開口扳手 18 (開口 12 毫米) 固定在主軸上的扳手安裝位置。把電動工具放在穩固的底座上，例如工作台。握牢開口扳手 18，朝著轉向 ① 擰轉內六角扳手 17 便可以放鬆快速夾頭 1。如果快速夾頭卡住了，輕敲內六角扳手 17 的長端便可以放鬆夾頭。從快速夾頭上拔出內六角扳手，接著再擰轉取出快速夾頭。

採用拆卸快速夾頭的方式，拆卸齒環夾頭 14。

安裝夾頭 (參考插圖 F)

以相反的步驟安裝快速夾頭 / 齒環夾頭。



使用約 30-35 牛頓米的拉緊扭力擰緊夾頭。

吸鋸塵 / 吸鋸屑

▶ 含鉛的顏料以及某些木材、礦物和金屬的加工廢塵有害健康。機器操作者或者工地附近的人如果接觸、吸入這些廢塵，可能會有過敏反應或者感染呼吸道疾病。

某些塵埃 (例如加工橡木或山毛櫸的廢塵) 可能致癌，特別是和處理木材的添加劑 (例如木材的防腐劑等) 結合之後。只有經過專業訓練的人才能夠加工含石棉的物料。

- 工作時盡可能使用吸塵裝備。
- 工作場所要保持空氣流通。
- 最好佩戴 P2 濾網等級的口罩。

請留心並遵守貴國和加工物料有關的法規。

操作

操作機器

- ▶ **注意電源的電壓！**電源的電壓必須和電動工具銘牌上標示的電壓一致。

改變轉向（參考插圖 G-H） (GSB 10 RE/GSB 13 RE/GSB 16 RE)

使用正逆轉開關 **8** 可以改變機器的轉向。如果按住了起停開關 **6**，則無法改變轉向。

正轉：適用於正常鑽和轉緊螺絲時，把正逆轉開關 **8** 向左推到底。

逆轉：適用於放鬆 / 轉出螺絲和螺母，把正逆轉開關 **8** 向右推到底。

開動 / 關閉

操作電動工具時先按下電動工具的起停開關 **6**，並持續按著。

按下鑽緊鍵 **5** 即可鎖定被按住的起停開關 **6**。

放開起停開關 **6** 即可關閉電動工具。如果起停開關被鑽緊鍵 **5** 固定了，先按下起停開關 **6** 並隨即將其放開。

調整轉速 / 沖擊次數 (GSB 10 RE/GSB 13 RE/GSB 16 RE)

隨著在起停開關 **6** 上施壓大小，可以無級式地提高或降低轉速 / 沖擊次數。

輕按起停開關 **6**，機器以低轉速 / 沖擊次數運作。增強施加在起停開關上的壓力，可以提高機器的轉速 / 沖擊次數。

設定轉速 / 沖擊次數 (GSB 16 RE)

使用指撥輪 **7**，可以設定需要的轉速 / 沖擊次數。即使在機器運作中也可以改變轉速 / 沖擊次數。

正確的轉速 / 沖擊次數必須視加工物料和工作狀況而定，唯有實際操作才能夠得到最合適的結果。

設定操作模式



正常鑽和旋轉螺絲

把轉換開關 **4** 調整到“正常鑽”的符號上。



沖擊鑽

把轉換開關 **4** 設定在“沖擊鑽”的符號上。

在設定的過程中，可以明顯地感覺到轉換開關 **4** 齒合。機器運作中也可以進行調整。

有關操作方式的指點

- ▶ **先關閉電動工具，然后再把工具放置在螺母 / 螺絲上。**安裝在接頭上的工具如果仍繼續轉動，容易從螺絲頭上滑開。

建議

在機器以低轉速長期運作之後，可讓機器在空載的狀況下，以最高轉速旋轉 **3** 分鐘，以加速冷卻。

在瓷磚上鑽孔時，必須把轉換開關 **4** 調整在“正常鑽”的符號上。待穿透瓷磚後，再把轉換開關調整在“沖擊鑽”的符號上，並以沖擊鑽的功能繼續作業。

在混凝土、石材和磚牆上鑽孔時，必須使用硬金屬鑽頭。

在金屬上鑽孔時只能使用完好，經過研磨的 HSS 鑽頭（HSS = 高效率高速鋼）。在博世的附件產品系列中，有符合這個品質等級的產品。

使用鑽頭研磨器（參考附件），可輕易地補磨 **2,5-10** 毫米的麻花鑽頭。

GSB 16 RE

進行精密的鑽孔工作時，最好使用鑽床架（參考附件）。

機器台鉗屬於附件，能夠牢牢地夾住工件。它可以避免工件滑動，並能夠防止因為工件走滑而發生的意外。

維修和服務

維修和清潔

- ▶ **維修電動工具或換裝零、配件之前，務必從插座上拔出插頭。**
- ▶ **電動工具和通風間隙都必須保持清潔，這樣才能夠提高工作品質和安全性。**

本公司生產的電動工具都經過嚴密的品質檢驗，如果機器仍然發生故障，請將機器交給博世電動工具公司授權的顧客服務處修理。

詢問和訂購備件時，務必提供機器銘牌上標示的 10 位數物品代碼。

顧客服務處和顧客諮詢中心

本公司顧客服務處負責回答有關本公司產品的修理，維護和備件的問題。以下的網頁中有爆炸圖和備件的資料：
www.bosch-pt.com

博世顧客諮詢團隊非常樂意為您解答有關購買，使用和設定本公司產品及附件的問題。

台灣

德商美最時貿易股份有限公司
台灣分公司

台北市 10454 林森北路 380 號 9 樓

電話：+886 2 2551 3264

傳真：+886 2 2536 3783

客服專線：0800 051 051

原廠維修中心

桃園縣蘆竹鄉長興路 3 段 219 巷 5 號

電話：+886 3 324 9325

傳真：+886 3 324 0269

E-Mail: services@melchers.com.tw

www.bosch-pt.com.tw

處理廢棄物

必須以符合環保的方式，回收再利用損壞的機器、附件和廢棄的包裝材料。

保留修改權。

전동공구용 일반 안전수칙

경고 모든 안전수칙과 지시 사항을 상세히 읽고 지켜야 합니다. 다음의 안전수칙과 지시 사항을 준수하지 않으면 화재 위험이 있으며 감전 혹은 중상을 입을 수 있습니다.

앞으로의 참고를 위해 이 안전수칙과 사용 설명서를 잘 보관하십시오.

다음에서 사용되는 "전동공구"라는 개념은 전원에 연결하여 사용하는 전동 기기 (전선이 있는) 나 배터리를 사용하는 전동 기기 (전선이 없는) 를 의미합니다.

1) 작업장 안전

- 작업장을 항상 깨끗이 하고 조명을 밝게 하십시오.**
작업장 환경이 어수선하거나 어두우면 사고를 초래할 수 있습니다.
- 가연성 유체, 가스 또는 용진이 있어 폭발 위험이 있는 환경에서 전동공구를 사용하지 마십시오.** 전동공구는 분진이나 증기에 점화하는 불꽃을 일으킬 수 있습니다.
- 전동공구를 사용할 때 구경꾼이나 어린이 혹은 다른 사람이 작업장에 접근하지 못하게 하십시오.** 다른 사람이 주의를 산만하게 하면 기기에 대한 통제를 잃기 쉽습니다.

2) 전기에 관한 안전

- 전동공구의 전원 플러그가 전원 콘센트에 잘 맞아야 합니다.** 플러그를 조금이라도 변경시켜서는 안됩니다. 접지된 전동공구를 사용할 때 어댑터 플러그를 사용하지 마십시오. 변형되지 않은 플러그와 잘 맞는 콘센트를 사용하면 감전의 위험을 감소할 수 있습니다.
- 파이프 관, 라디에이터, 레인지, 냉장고와 같은 접지 표면에 몸이 닿지 않도록 하십시오.** 몸에 닿을 경우 감전될 위험이 높습니다.
- 전동공구를 비에 맞지 않게 하고 습기 있는 곳에 두지 마십시오.** 전동공구에 물이 들어가면 감전될 위험이 높습니다.
- 전원 코드를 잡고 전동공구를 운반하거나 걸어 놓아서는 안되며, 콘센트에서 전원 플러그를 뽑을 때 전원 코드를 잡아 당겨서는 절대로 안됩니다.** 전원 코드가 열과 오일에 접촉하는 것을 피하고, 날카로운 모서리나 기기의 가동 부위에 닿지 않도록 주의하십시오. 손상되거나 영긴 전원 코드는 감전을 유발할 수 있습니다.

e) **실외에서 전동공구로 작업할 때는 실외용으로 적당한 연장 전원 코드만을 사용하십시오.** 실외용 연장 전원 코드를 사용하면 감전의 위험을 줄일 수 있습니다.

f) **전동공구를 습기 찬 곳에서 사용해야 할 경우에는 누전 차단기를 사용하십시오.** 누전 차단기를 사용하면 감전 위험을 줄일 수 있습니다.

3) 사용자 안전

- 신중하게 작업하십시오.** 작업을 할 때 주의를 하며, 전동공구를 사용할 때 경솔하게 행동하지 마십시오. 피로한 상태이거나 약물 복용 및 음주한 후에는 전동공구를 사용하지 마십시오. 전동공구를 사용할 때 잠시라도 주의가 산만해지면 중상을 입을 수 있습니다.
- 작업자 안전을 위한 장치를 사용하십시오.** 항상 보안경을 착용하십시오. 전동공구의 종류와 사용에 따라 면지 보호 마스크, 미끄러지지 않는 안전한 신발, 안전모 또는 귀마개 등의 안전한 복장을 하면 상해의 위험을 줄일 수 있습니다.
- 실수로 기기가 작동되지 않도록 주의하십시오.** 전동공구를 전원에 연결하거나 배터리를 끼우기 전에, 혹은 기기를 풀거나 운반하기 전에, 전원 스위치가 꺼져 있는지 다시 확인하십시오. 전동공구를 운반할 때 전원 스위치에 손가락을 대거나 전원 스위치가 켜진 상태에서 전원을 연결하면 사고 위험이 높습니다.
- 전동공구를 사용하기 전에 조절하는 톨이나 나사의 등을 빼 놓으십시오.** 회전하는 부위에 있는 톨이나 나사 키로 인해 상처를 입을 수 있습니다.
- 자신을 과신하지 마십시오.** 불안정한 자세를 피하고 항상 평형을 이룬 상태로 작업하십시오. 안정된 자세와 평형한 상태로 작업해야만 이의외의 상황에서도 전동공구를 안전하게 사용할 수 있습니다.
- 알맞은 작업복을 입으십시오.** 헐렁한 복장을 하거나 장식품을 착용하지 마십시오. 머리카락 또는 장갑이 가동하는 기기 부위에 가까이 닿지 않도록 주의하십시오. 헐렁한 복장, 장식품 혹은 긴 머리는 가동 부위에 말려 사고를 초래할 수 있습니다.
- 분진 추출장치나 수거장치의 조립이 가능한 경우, 이 장치가 연결되어 있는지, 제대로 작동이 되는지 확인하십시오.** 이러한 분진 추출장치를 사용하면 분진으로 인한 사고 위험을 줄일 수 있습니다.

4) 전동공구의 올바른 사용과 취급

- 기기를 과부하 상태에서 사용하지 마십시오.** 작업을 하는 때 이에 적당한 전동공구를 사용하십시오. 알맞은 전동공구를 사용하면 지정된 성능 한도 내에서 더 효율적으로 안전하게 작업할 수 있습니다.

- b) 전원 스위치가 고장 난 전동공구를 사용하지 마십시오. 전원 스위치가 작동되지 않는 전동공구는 위험하므로, 반드시 수리를 해야 합니다.
 - c) 기기에 새팅을 하거나 액세서리 부품을 교환하거나 혹은 기기를 보관할 때, 항상 전원 콘센트에서 플러그를 미리 빼어 놓으십시오. 이러한 조치는 실수로 전동공구가 작동하게 되는 것을 예방합니다.
 - d) 사용하지 않는 전동공구는 어린이 손이 닿지 않는 곳에 보관하고, 전동공구 사용에 익숙지 않거나 이 사용 설명서를 읽지 않은 사람은 기기를 사용하지 않습니다. 경험이 없는 사람이 전동공구를 사용하면 위험합니다.
 - e) 전동공구를 조심스럽게 관리하십시오. 작동 부위가 하자 없이 정상적인 기능을 하는지, 걸리는 부위가 있는지, 혹은 전동공구의 기능에 중요한 부품이 손상되지 않았는지 확인하십시오. 손상된 기기의 부품은 전동공구를 다시 사용하기 전에 반드시 수리를 맡기십시오. 제대로 관리하지 않은 전동공구의 경우 많은 사고를 유발합니다.
 - f) 절단 공구를 날카롭고 깨끗하게 관리하십시오. 날카로운 절단면이 있고 잘 관리된 절단공구는 걸리는 경우가 드물고 조절하기도 쉽습니다.
 - g) 전동공구, 액세서리, 장착하는 공구 등을 사용할 때, 이 지시 사항과 특별히 기종 별로 나와있는 사용 방법을 준수하십시오. 이때 작업 조건과 실시하려는 작업 내용을 고려하십시오. 원래 사용 분야가 아닌 다른 작업에 전동공구를 사용할 경우 위험한 상황을 초래할 수 있습니다.
- 5) 서비스
- a) 전동공구 수리는 반드시 전문 인력에게 맡기고, 수리 정비 시 보쉬 순정 부품만을 사용하십시오. 그렇게 함으로써 기기의 안전성을 오래 유지할 수 있습니다.

기기 특유의 안전수칙

GSB 13/GSB 13 RE/GSB 16/GSB 16 RE

- ▶ 전동공구와 함께 공급된 보조 손잡이를 사용하십시오. 전동공구에 대한 통제를 잃게 되면 상해를 입을 수 있습니다.
- ▶ 전동공구를 두 손으로 꼭 잡고 안전한 자세로 작업하십시오. 전동공구는 두 손으로 사용하면 더 안전합니다.

GSB 10/GSB 10 RE/GSB 13/GSB 13 RE/ GSB 16/GSB 16 RE

- ▶ 임팩트 드릴을 사용할 때 귀마개를 착용하십시오. 소음으로 인해 청각을 상실할 수 있습니다.
- ▶ 보이지 않는 부위에 에너지 배선 및 배관여부를 확인하려면 적당한 탐지기를 사용하거나 담당 에너지 공급회사에 문의하십시오. 전선에 접촉하게 되면 화재나 전기 충격을 유발할 수 있습니다. 가스관을 손상시키면 폭발 위험이 있으며 수도관을 파손하게 되면 재산 피해를 야기할 수 있습니다.
- ▶ 톨홀더에 끼워진 비트가 풀리면 즉시 전동공구 스위치를 끄십시오. 반동을 유발할 수 있는 강한 반동력이 생길 수 있습니다. 톨홀더에 끼워진 비트는 다음의 경우 물립니다:
 - 전동공구가 과부하된 상태이거나
 - 작업하려는 소재에 걸렸을 경우 물립니다
- ▶ 작업할 때 드릴 비트로 보이지 않는 전선이나 기기 자체의 코드에 닿을 위험이 있으면 전동공구의 절연된 손잡이 면만을 잡으십시오. 전류가 흐르는 전선에 접하게 되면 기기의 금속 부위에 전기가 통해 감전될 위험이 있습니다.
- ▶ 전동공구를 두 손으로 꼭 잡고 안전한 자세로 작업하십시오. 전동공구는 두 손으로 사용하면 더 안전합니다.
- ▶ 작업물을 잘 고정하십시오. 고정장치나 기계 바이스에 끼워서 작업하면 손으로 잡는 것보다 더 안전합니다.
- ▶ 작업장을 항상 깨끗이 유지하십시오. 작업 소재의 혼합물은 특히 위험합니다. 경금속 분진은 화재나 폭발을 야기할 수 있습니다.
- ▶ 전동공구를 내려놓기 전에 기기가 완전히 멈추었는지를 확인하십시오. 삽입 비트가 걸리거나 전동공구에 대한 통제가 어려워질 수 있습니다.
- ▶ 절대로 전원 코드가 손상된 전동공구를 사용하지 마십시오. 작업하다가 전원 코드가 손상된 경우 손상된 코드를 만지지 말고 바로 소켓을 빼십시오. 손상된 전원 코드는 감전을 일으킬 위험이 높습니다.

기능 설명



모든 안전수칙과 지시 사항을 상세히 읽고 지켜야 합니다. 다음의 안전수칙과 지시 사항을 준수하지 않으면 화재 위험이 있으며 감전 혹은 중상을 입을 수 있습니다.

사용 설명서를 읽는 동안 기기의 그림이 나와 있는 접힌 면을 펴 놓고 참고하십시오.

28 | 한국어

규정에 따른 사용

본 기기는 벽돌 콘크리트 석재에 임팩트 드릴작업, 목재 금속 플라스틱에 드릴작업을 하는 데 사용해야 합니다. 전자 제어 장치와 회전방향 선택 장치가 있는 모델은 스크류작업이나 나사산 절삭작업 (태핑작업) 도 가능합니다.

제품의 주요 명칭

제품의 주요 명칭에 표기되어 있는 번호는 기기 그림이 나와있는 면을 참고하십시오.

- 1 키레스 척*
- 2 슬리브 앞부분
- 3 슬리브 뒷부분
- 4 “드릴 / 임팩트 드릴작업” 선택 스위치
- 5 전원 스위치 잠금 버튼
- 6 전원 스위치
- 7 속도 조절 다이얼 (GSB 16 RE)

8 회전방향 선택 스위치 (GSB 10 RE/GSB 13 RE/ GSB 16 RE)

- 9 깊이 조절자 조절용 버튼
- 10 보조 손잡이 조절용 날개 나사
- 11 보조 손잡이*
- 12 깊이 조절자*
- 13 드릴 척*
- 14 키 타입 척*
- 15 유니버설 비트 홀더*
- 16 스크류 드라이버 비트*
- 17 육각 키**
- 18 양구 스패너**

*도면이나 설명서에 나와 있는 액세서리는 표준 공급부품에 속하지 않습니다.

**시장에서 구매 가능 (표준 공급 부품에 포함되지 않음)

제품 사양

임팩트 드릴	GSB ... Professional	10	10 RE	13	13 RE	16	16 RE
제품 번호	3 601 ...	B16 0..	B16 1..	B17 0..	B17 1..	B18 0..	B18 1..
소비 전력	W	500	500	600	600	701	701
출력	W	250	250	301	301	351	351
무부하 속도	rpm	2600	0-2600	2800	0-2800	3000	0-3000
부하 시 최대 속도	rpm	1610	1610	1570	1570	1640	1640
타격률	min ⁻¹	25700	25700	25070	25070	26270	26270
정격 토크	Nm	1.5	1.5	1.8	1.8	2.0	2.0
속도 설정		-	-	-	-	-	●
역회전 기능		-	●	-	●	-	●
스핀들 칼라 직경	mm	43	43	43	43	43	43
드릴 직경, 최대							
- 콘크리트	mm	10	10	13	13	16	16
- 철재	mm	8	8	10	10	12	12
- 목재	mm	20	20	25	25	30	30
드릴 척 클램핑 범위	mm	1.5-10	1.5-10	1.5-13	1.5-13	1.5-13	1.5-13
EPTA 공정 01/2003 에 따른 중량	kg	1.5	1.5	1.7	1.7	1.9	1.9
안전 등급		□/II	□/II	□/II	□/II	□/II	□/II

자료는 정격 전압 [U] 230/240 V 를 기준으로 한 것입니다. 전압이 낮거나 각국의 특수한 모델에 따라 달라질 수 있습니다.

전동공구의 명판에 표시된 제품 번호를 확인하십시오. 각 전동공구의 명칭이 시중에서 상이하게 사용될 수 있습니다.

조립

보조 손잡이 (그림 A 참조) (GSB 13/GSB 13 RE/GSB 16/GSB 16 RE)

- ▶ **반드시 보조 손잡이 11 을 장착하여 전동공구를 사용하십시오.**

보조 손잡이 11 은 안전하고 피로가 적은 자세로 작업할 수 있도록 모든 위치로 움직여 조절할 수 있습니다.

보조 손잡이 조절용 날개 나사 10 을 시계 반대 방향으로 돌리고 보조 손잡이 11 을 원하는 위치로 움직입니다. 그리고 나서 날개 나사 10 을 시계 방향으로 돌려 다시 조입니다.

천공 깊이 조절하기 (그림 A 참조)

원하는 천공 깊이 X 는 깊이 조절자 12 로 조절할 수 있습니다. 깊이 조절자 조절용 버튼 9 를 누르고 깊이 조절자를 보조 손잡이 11 안으로 밀어 넣습니다.

드릴 비트의 끝과 깊이 조절자의 끝 부위의 간격이 원하는 천공 깊이 X 가 될 때까지 깊이 조절자를 잡아 당깁니다.

비트의 교환

- ▶ **전동공구를 보수 정비하기 전에 반드시 콘센트에서 전원 플러그를 빼십시오.**

키레스 척 (그림 B 참조)

키레스 척 1 의 슬리브 뒷부분 3 을 꼭 잡고 비트가 끼워질 정도까지 슬리브 앞부분 2 를 ① 회전 방향으로 돌립니다. 비트를 끼우십시오.

키레스 척 1 의 슬리브 뒷부분 3 을 꼭 잡고 슬리브 앞부분 2 를 더 이상 걸리는 소리가 나지 않을 때까지 손으로 힘껏 ② 방향으로 돌리십시오. 이렇게 하면 드릴 척이 자동으로 잠기게 됩니다.

비트를 탈착하기 위해 슬리브 앞부분 2 를 반대 방향으로 돌리면 잠금 상태가 다시 해제됩니다.

키 타입 척 (그림 C 참조)

- ▶ **비트를 교환할 때 보호 장갑을 착용하십시오.** 장시간 작업을 하면 드릴 척이 과열될 수 있습니다.

키 타입 척 14 를 비트가 끼워질 수 있을 정도 까지 돌려 열어 준 다음에 비트를 끼웁니다.

척 키 13 을 해당하는 키 타입 척 14 의 구멍에 끼우고 비트를 일정하게 고정합니다.

스크류 드라이버 비트 (그림 D 참조)

스크류 드라이버 비트 16 으로 작업할 때, 반드시 유니버설 비트 홀더 15 를 사용해야 합니다. 나사못 머리에 맞는 스크류 드라이버 비트만을 사용하십시오.

스크류 작업을 하려면 “드릴 / 임팩트 드릴작업” 선택 스위치 4 가 반드시 “드릴작업” 위치에 있어야 합니다.

드릴 척 교환하기

- ▶ **전동공구를 보수 정비하기 전에 반드시 콘센트에서 전원 플러그를 빼십시오.**

드릴 척 분해하기 (그림 E 참조)

키레스 척 1 을 탈착하려면 육각 키 17 을 키레스 척 1 안으로 끼우고 양구 스페너 18 (SW 12) 을 구동 스펀들의 키 대는 면에 대십시오. 전동공구를 작업대와 같은 단단한 바닥에 놓으십시오. 양구 스페너 18 을 꼭 잡고 육각 키 17 을 ① 방향으로 돌려 키레스 척 1 을 풀어 줍니다. 꼭 끼워진 키레스 척은 육각 키 17 의 긴 쪽을 가볍게 두드려 주면 풀어 집니다. 육각 키를 키레스 척에서 뺀 후 키레스 척을 돌려 완전히 빼십시오.

키 타입 척 14 도 키레스 척과 같은 방법으로 분해하면 됩니다.

드릴 척 조립하기 (참고 그림 F)

키레스 척 / 키 타입 척 조립은 반대 순서로 하면 됩니다.



드릴 척은 약 30-35 Nm 의 고정 토크로 조여야 합니다.

분진 및 톱밥 추출장치

- ▶ **납 성분을 포함한 페인트나 몇몇 나무 종류, 또는 광물 성분 그리고 철과 같은 재료의 분진은 건강을 해칠 수 있습니다.** 이 분진을 만지거나 호흡할 경우, 사용자나 주변 사람들은 알레르기 반응이나 호흡기 장애를 일으킬 수 있습니다.

벽갈나무나 너도밤나무와 같은 특정한 분진은 암을 유발시키며, 특히 목재 처리용으로 사용되는 부가 원료 (크로마트, 목재보호제) 와 혼합되면 암을 유발시키게 됩니다. 석면 성분을 포함한 재료는 오직 전문가가 작업을 해야 합니다.

- 가능한 분진흡입기를 사용하십시오.
- 작업장의 통풍이 잘 되도록 하십시오.
- 필터등급 P2 가 장착된 호흡 마스크를 사용하십시오.

작업용 재료에 관해 국가가 지정한 규정을 고려 하십시오.

작동

기계 시동

- ▶ **공공 예전 전압에 주의!** 공급되는 전원의 전압은 전동공구의 명판에 표기된 전압과 동일해야 합니다.

회전방향 설정하기 (그림 G-H 참조) (GSB 10 RE/GSB 13 RE/GSB 16 RE)

회전방향 선택 스위치 8 로 기기의 회전 방향을 선택할 수 있습니다. 그러나 전원 스위치 6 이 눌러진 상태에서는 작동이 불가능합니다.

우회전: 드릴작업이나 스크류작업을 하려면 회전방향 선택 스위치 8 을 왼쪽으로 끝까지 밀니다.

좌회전: 나사못이나 너트를 느슨하게하거나 푸는 작업을 하려면, 회전방향 선택 스위치 8 을 오른쪽 끝까지 밀니다.

전원 스위치 작동

전동공구를 **작동하려면** 전원 스위치 6 을 누르고 누른 상태를 유지하십시오.

전원 스위치 6 을 **누른 상태로** 유지하려면, 잠금 버튼 5 를 누르십시오.

전동공구의 **스위치를 끄려면** 전원 스위치 6 을 놓거나 잠금버튼 5 로 고정된 경우 전원 스위치 6 을 살짝 눌렀다가 다시 놓습니다.

속도 / 타격률 조절하기 (GSB 10 RE/GSB 13 RE/GSB 16 RE)

전원 스위치 6 에 가하는 힘의 강약에 따라 작동 중에도 전동공구의 속도 / 타격률을 무단으로 조절할 수 있습니다.

전원 스위치 6 을 살짝 누르면 낮은 속도 / 타격률로 작동합니다. 좀 더 세게 누르면 속도 / 타격률이 증가합니다.

속도 / 타격률 설정하기 (GSB 16 RE)

속도 조절 다이얼 7 로 원하는 속도 / 타격률을 작동 중에도 선택할 수 있습니다.

필요한 속도 / 타격률은 소재와 작업 조건에 따라 달라지므로 실제 시험을 통해 결정할 수 있습니다.

작동 모드 설정하기



드릴작업 및 스크류작업

선택 스위치 4 를 “드릴작업” 표시에 맞추십시오.



임팩트 드릴작업

선택 스위치 4 를 “임팩트 드릴작업” 표시에 맞추십시오.

선택 스위치 4 는 걸리는 소리가 확실하며, 기기가 작동 중에도 선택이 가능합니다.

사용방법

- ▶ **전동공구의 스위치가 켜진 상태에서만 나사못에 대십시오.** 회전하는 드릴 비트가 미끄러질 수 있습니다.

참고

낮은 속도로 장기간 연속 작업을 했을 경우, 기기를 약 3 분간 무부하 상태로 최고 속도로 운전한 후 식히십시오.

타일에 드릴작업을 하려면 선택 스위치 4 를 “드릴작업” 표시에 맞춥니다. 타일에 구멍을 완전히 뚫을 때 까지는 스위치를 “임팩트 드릴작업” 표시로 바꾸거나 임팩트작업을 하면 안 됩니다.

콘크리트 석재 벽돌 등에 작업할 때는 경금속 드릴 비트를 사용하십시오.

금속에 드릴작업을 할 때 항상 하자가 없는 날카로운 HSS 드릴 비트 (HSS = 하이 스피드 스틸) 만을 사용하십시오. 보쉬 액세서리 프로그램은 이에 상응하는 품질을 보증합니다.

드릴 비트 연마기 (별매 액세서리) 로 직경이 2.5-10 mm 인 트위스트 드릴 비트를 쉽게 연마할 수 있습니다.

GSB 16 RE

특히 정밀한 작업을 할 때는 드릴 스펀드 (별매 액세서리) 를 사용하십시오.

액세서리로 구입이 가능한 기계 바이스를 사용하면 작업물을 안전하게 고정할 수 있어 작업물이 흔들리거나 이로 인해 생길 수 있는 사고를 방지할 수 있습니다.

보수 정비 및 서비스

보수 정비 및 유지

- ▶ 전동공구를 보수 정비하기 전에 반드시 콘센트에서 전원 플러그를 빼십시오.
- ▶ 안전하고 올바른 작동을 위하여 전동공구와 전동공구의 환기구를 항상 깨끗이 하십시오.

세심한 제작과 검사에도 불구하고 전동공구가 불량한 경우가 있다면 보쉬 고객 지원본부나 가까운 보쉬 지정 전동공구 서비스 센터에 수리를 의뢰하십시오.

문의 사항이 있거나 스페어 부품을 주문할 때 반드시 전동공구의 타입 표시판에 적힌 10 자리의 제품 번호를 알려 주십시오.

AS 서비스 센터 및 고객 상담

AS 서비스 센터에서는 귀하 제품의 수리 및 보수정비, 그리고 부품에 관한 문의를 받고 있습니다. 제품의 분해도 및 부품에 관한 정보는 다음의 주소에서도 보실 수 있습니다:

www.bosch-pt.com

보쉬 AS 서비스 센터 팀은 제품과 액세서리의 구매, 사용법 및 설정에 관해 상담해 드립니다.

한국로버트보쉬기전주식회사

Robert Bosch Korea Mechanics and Electronics Ltd.

전동공구 사업부

서울시 중구 장충동 1 가 31-7, 봉우빌딩 2층

서울중앙우체국 사서함 3698

전화 : +82 (02) 22 70-91 40

팩스 : +82 (02) 22 70-90 08

고객지원본부

서울시 성동구 상왕십리 14-19, 오정빌딩 201호

전화 : +82 (02) 22 70-90 80 / 90 81 / 90 82

팩스 : +82 (02) 22 92-29 85

E-Mail: Bosch-pt.hotline@kr.bosch.com

Internet: www.bosch.co.kr

처리

기기와 액세서리 및 포장 등은 환경 친화적인 방법으로 재생활 수 있도록 분류하십시오.

위 사항은 사전 예고 없이 변경될 수도 있습니다.

คำเตือนทั่วไปเพื่อความปลอดภัย ในการใช้เครื่องมือไฟฟ้า

⚠ คำเตือน ต้องอ่านคำเตือนเพื่อความปลอดภัยและคำสั่งทั้งหมด การไม่ปฏิบัติตามคำเตือนและคำสั่งอาจเป็นสาเหตุให้ถูกไฟฟ้าดูด เกิดไฟไหม้ และ/หรือได้รับบาดเจ็บอย่างร้ายแรง

คำเตือนอาจเป็นสาเหตุให้ถูกไฟฟ้าดูด เกิดไฟไหม้ และ/หรือได้รับบาดเจ็บอย่างร้ายแรง

เก็บรักษาคำเตือนและคำสั่งทั้งหมดสำหรับเปิดอ่านในภายหลัง

คำว่า "เครื่องมือไฟฟ้า" ในคำเตือนหมายถึง เครื่องมือไฟฟ้าของท่านที่ทำงานด้วยพลังงานไฟฟ้าที่ต่อจากเต้าเสียบ (มีสายไฟฟ้า) และเครื่องมือไฟฟ้าที่ทำงานด้วยพลังงานไฟฟ้าจากแบตเตอรี่ (ไร้สาย)

1) ความปลอดภัยในสถานที่ทำงาน

ก) รักษาสถานที่ทำงานให้สะอาดและมีไฟส่องสว่างดี สถานที่ที่มีมืดหรือรกรุงร่งนำมาซึ่งอุบัติเหตุ

ข) อย่าใช้เครื่องมือไฟฟ้าในสภาพแวดล้อมที่เสี่ยงต่อการติดระเบิดได้ เช่น ในที่มีมีของเหลว แก๊ส หรือฝุ่นที่ติดไฟได้ เมื่อใช้เครื่องมือไฟฟ้าจะเกิดประกายไฟซึ่งอาจจุดฝุ่นหรือไอให้ลุกเป็นไฟได้

ค) ขณะใช้เครื่องมือไฟฟ้าทำงาน ต้องกันเด็กและผู้ยืนดูให้ออกห่าง การหันเหความสนใจอาจทำให้ท่านขาดการควบคุมเครื่องได้

2) ความปลอดภัยเกี่ยวกับไฟฟ้า

ก) ปลั๊กของเครื่องมือไฟฟ้าต้องมีขนาดพอดีกับเต้าเสียบ อย่าตัดแปลงหรือแก้ไขตัวปลั๊กอย่างเด็ดขาด อย่าต่อปลั๊กต่อกันเข้าด้วยกันกับเครื่องมือไฟฟ้าที่มีสายดิน ปลั๊กที่ไม่ตัดแปลงและเต้าเสียบที่เข้ากันช่วยลดความเสี่ยงจากการถูกไฟฟ้าดูด

ข) หลีกเลี่ยงไม่ให้ร่างกายสัมผัสกับพื้นผิวของสิ่งของที่ต่อสายดินไว้ เช่น ท่อ เครื่องทำความร้อน เตา และตู้เย็น จะเสี่ยงอันตรายจากการถูกไฟฟ้าดูดมากขึ้นหากกระแสไฟฟ้าวิ่งผ่านร่างกายของท่านลงดิน

ค) อย่าวางเครื่องมือไฟฟ้าตากฝนหรือทิ้งไว้ในที่ชื้นและหากน้ำเข้าในเครื่องมือไฟฟ้า จะเพิ่มความเสี่ยงจากการถูกไฟฟ้าดูด

ง) อย่าใช้สายไฟฟ้าอย่างมิดๆ อย่าถือเครื่องมือไฟฟ้าที่สาย อย่าใช้สายแขวนเครื่อง หรืออย่าดึงสายไฟฟ้าเพื่อถอดปลั๊กออกจากเต้าเสียบ กันสายไฟฟ้าออกห่างจากความร้อน น้ำมัน ขอบแหลมคม หรือส่วนของเครื่องที่กำลังเคลื่อนไหว สายไฟฟ้าที่ชำรุดหรือพันกันยุ่งเพิ่มความเสี่ยงจากการถูกไฟฟ้าดูด

จ) เมื่อใช้เครื่องมือไฟฟ้าทำงานกลางแจ้ง ให้ใช้สายไฟต่อที่ได้รับการรับรองให้ใช้ต่อในกลางแจ้งเท่านั้น การใช้สายไฟต่อที่เหมาะสมสำหรับงานกลางแจ้งช่วยลดอันตรายจากการถูกไฟฟ้าดูด

ฉ) หากไม่สามารถหลีกเลี่ยงการใช้เครื่องมือไฟฟ้าทำงานในสถานที่เปียกชื้นได้ ให้ใช้สวิทช์ตัดวงจรเมื่อเกิดการรั่วไหลของไฟฟ้าจากสายดิน การใช้สวิทช์ตัดวงจรเมื่อเกิดการรั่วไหลของไฟฟ้าจากสายดินช่วยลดความเสี่ยงต่อการถูกไฟฟ้าดูด

3) ความปลอดภัยของบุคคล

ก) ท่านต้องอยู่ในสภาพเตรียมพร้อม ระมัดระวังในสิ่งที่กำลังทำอยู่ และมีสติขณะใช้เครื่องมือไฟฟ้าทำงาน อย่าใช้เครื่องมือไฟฟ้าขณะทำงานกำลังเหนื่อย หรืออยู่ภายใต้การครอบงำของฤทธิ์ของยาเสพติด แอลกอฮอล์ และยา เมื่อใช้เครื่องมือไฟฟ้าทำงาน ในช่วงเวลาที่ท่านขาดความเอาใจใส่อาจทำให้บุคคลบาดเจ็บอย่างรุนแรงได้

ข) ใช้อุปกรณ์ปกป้องร่างกาย สวมแว่นตาป้องกันเสมอ อุปกรณ์ปกป้อง เช่น หน้ากากกันฝุ่น รองเท้านิรภัย หมวกแข็ง หรืออุปกรณ์ป้องกันเสียงดัง ที่เลือกใช้ตามความเหมาะสมกับสภาพการทำงาน สามารถลดอันตรายต่อบุคคลได้

ค) ป้องกันการติดเครื่องโดยไม่ตั้งใจ ต้องดูให้แน่ใจว่าสวิทช์อยู่ในตำแหน่งปิดก่อนเสียบปลั๊กไฟเข้าในเต้าเสียบ และ/หรือใส่แท่งแบตเตอรี่ ยึดขึ้นหรือถือเครื่องมือ การถือเครื่องโดยใช้นิ้วหัวที่สวิทช์ หรือเสียบปลั๊กไฟขณะสวิทช์เปิดอยู่ อาจนำไปสู่อุบัติเหตุที่ร้ายแรงได้

ง) เอาเครื่องมือปรับแต่งหรือประแจปากตายออกจากเครื่องมือไฟฟ้าก่อนเปิดสวิทช์ เครื่องมือหรือประแจปากตายที่วางอยู่กับส่วนของเครื่องที่กำลังหมุนจะทำให้บุคคลบาดเจ็บได้



- จ) หลีกเลี่ยงการตั้งท่าที่ผิดปกติ ตั้งทำยีนที่มั่นคงและวางน้ำหนักให้สมดุลตลอดเวลา ในลักษณะนี้ท่านสามารถควบคุมเครื่องมือไฟฟ้าในสถานการณ์ที่ไม่คาดคิดได้ดีกว่า
- ฉ) ใส่เสื้อผ้าที่เหมาะสม อย่าใส่เสื้อผ้าหลวมหรือสวมเครื่องประดับ เอาหมวก เสื้อผ้า และถุงมือออกห่างส่วนของเครื่องที่กำลังหมุน เสื้อผ้าหลวม เครื่องประดับ และ ฝอยอาจเข้าไปติดในส่วนของเครื่องที่กำลังหมุนได้
- ช) หากต้องต่อเครื่องมือไฟฟ้าเข้ากับเครื่องดูดฝุ่นหรือเครื่องเก็บผง ดูให้แน่ใจว่าการเชื่อมต่อและการใช้งานเป็นไปอย่างถูกต้อง การใช้อุปกรณ์ดูดฝุ่นช่วยลดอันตรายที่เกิดจากฝุ่นได้
- 4) การใช้และการดูแลรักษาเครื่องมือไฟฟ้า
- ก) อย่าใช้เครื่องมือไฟฟ้าอย่างหักโหม ใช้เครื่องมือไฟฟ้าที่ถูกต้องตรงตามลักษณะงาน เครื่องมือไฟฟ้าที่ถูกต้องจะทำงานได้ดีกว่าและปลอดภัยกว่าในระดับสมรรถภาพที่ออกแบบไว้
- ข) อย่าใช้เครื่องมือไฟฟ้าที่สวิตช์เปิดปิดเสีย เครื่องมือไฟฟ้าที่ไม่สามารถควบคุมการเปิดปิดด้วยสวิตช์ได้ เป็นเครื่องมือไฟฟ้าที่ไม่ปลอดภัยและต้องส่งซ่อมแซม
- ค) ก่อนปรับแต่งเครื่อง เปลี่ยนอุปกรณ์ประกอบ หรือเก็บเครื่องเข้าที่ ต้องถอดปลั๊กไฟออกจากเต้าเสียบและ/หรือถอดแท่งแบตเตอรี่ออกจากเครื่องมือไฟฟ้า มาตรการป้องกันเพื่อความปลอดภัยนี้ช่วยลดความเสี่ยงจากการติดเครื่องโดยไม่ได้ตั้งใจ
- ง) เมื่อเลิกใช้งานเครื่องมือไฟฟ้า ให้เก็บเครื่องไว้ในที่ที่เด็กหยิบไม่ถึง และไม่อนุญาตให้บุคคลที่ไม่คุ้นเคยกับเครื่องหรือบุคคลที่ไม่ได้อ่านคำแนะนำนี้ใช้เครื่องมือไฟฟ้าเป็นของอันตรายหากตกอยู่ในมือของผู้ใช้ที่ไม่ได้รับการฝึกฝน
- จ) เอาใจใส่ดูแลรักษาเครื่อง ตรวจสอบหาส่วนที่เคลื่อนไหวได้ของเครื่องว่าวางอยู่ตรงแนวหรือติดขัดหรือไม่ ตรวจสอบการแตกหักของชิ้นส่วนและสภาพอื่นใดที่อาจมีผลต่อการทำงานของเครื่องมือไฟฟ้า หากชำรุดต้องส่งเครื่องมือไฟฟ้าซ่อมแซมก่อนใช้งาน อุบัติเหตุหลายอย่างเกิดขึ้นเนื่องจากดูแลรักษาเครื่องไม่ดีพอ

- ฉ) รักษาเครื่องมือตัดให้คมและสะอาด หากบำรุงรักษาเครื่องมือที่มีขอบตัดแหลมคมอย่างถูกต้อง จะสามารถตัดได้ลื่นไม่ติดขัดและควบคุมได้ง่ายกว่า
- ช) ใช้เครื่องมือไฟฟ้า อุปกรณ์ประกอบ เครื่องมือ และอุปกรณ์อื่น ๆ ให้ตรงตามคำแนะนำนี้ และในลักษณะตามที่เครื่องมือไฟฟ้าประเภทนั้น ๆ กำหนดไว้ โดยต้องคำนึงถึงเงื่อนไขการทำงานและงานที่จะทำด้วย การใช้เครื่องมือไฟฟ้าทำงานที่ต่างไปจากวัตถุประสงค์การใช้ งานของเครื่อง อาจนำไปสู่สถานการณ์ที่เป็นอันตรายได้
- 5) การบริการ
- ก) ส่งเครื่องมือไฟฟ้าให้ช่างผู้เชี่ยวชาญตรวจสอบและใช้อะไหล่เปลี่ยนของแท้เท่านั้น ในลักษณะนี้ท่านจะแน่ใจได้ว่าเครื่องมือไฟฟ้าอยู่ในสภาพที่ปลอดภัย

คำแนะนำเพื่อความปลอดภัย

เฉพาะเครื่อง

GSB 13/GSB 13 RE/GSB 16/GSB 16 RE

- ▶ ให้ใช้ตามจับเพิ่มเติมที่จัดส่งมาพร้อมกับเครื่องเสมอ การขาดการควบคุมอาจทำให้บุคคลได้รับอันตรายบาดเจ็บได้
- ▶ เมื่อใช้เครื่องทำงาน ต้องใช้มือทั้งสองจับเครื่องให้แน่น และตั้งทำยีนที่มั่นคงเสมอ เครื่องมือไฟฟ้าสามารถเคลื่อนนำได้มั่นคงกว่าเมื่อใช้มือทั้งสองข้างจับ

GSB 10/GSB 10 RE/GSB 13/GSB 13 RE/GSB 16/GSB 16 RE

- ▶ สวมประภหุป้องกันเสียงดังเมื่อใช้ส่วนเจาะกระแทก เสียงดังอาจทำให้สูญเสียการได้ยิน
- ▶ ใช้เครื่องตรวจที่เหมาะสมตรวจหาท่อและสายไฟฟ้าที่อาจซ่อนอยู่ในบริเวณที่จะทำงาน หรือขอความช่วยเหลือจากบริษัทวางท่อและสายไฟฟ้าในท้องถิ่น การสัมผัสกับสายไฟฟ้าอาจทำให้เกิดไฟไหม้หรือถูกไฟฟ้าช็อกหรือดูดได้ การทำให้ท่อแก๊สเสียหายอาจเกิดระเบิดได้ การเจาะเข้าในท่อน้ำทำให้ทรัพย์สินเสียหาย

- ▶ **ปิดเครื่องมือไฟฟ้าทันทีที่เครื่องมือที่ใส่อยู่เกิดติดขัด**
เตรียมตัวรับแรงบิดสะท้อนสูงที่ทำให้เกิดการต๊กกลับ
เครื่องมือที่ใส่อยู่ติดขัดเนื่องจาก:
 - เครื่องมือไฟฟ้าถูกใช้งานเกินกำลังปกติ หรือ
 - เครื่องมือที่มียังอยู่ในชิ้นงาน
- ▶ **เมื่อทำงานในบริเวณที่เครื่องมืออาจเจาะเข้าไปในสายไฟฟ้าที่**
ซ่อนอยู่หรือเจาะเข้าไปในสายไฟหลักของเครื่อง **ต้องจับ**
เครื่องมือไฟฟ้าตรงด้ามจับที่หุ้มฉนวนเท่านั้น การสัมผัสกับ
สายที่มีกระแสไฟฟ้าไหลอยู่จะทำให้ส่วนที่เป็นโลหะของเครื่อง
เกิดมีกระแสไฟฟ้าด้วย และส่งผลให้ผู้ใช้งานเครื่องถูกไฟฟ้า
กระตุกได้
- ▶ **เมื่อใช้เครื่องทำงาน ต้องใช้มือทั้งสองจับเครื่องให้แน่น**
และตั้งทำยืนที่มั่นคงเสมอ เครื่องมือไฟฟ้าสามารถเคลื่อนนำ
ได้มั่นคงกว่าเมื่อใช้มือทั้งสองข้างจับ
- ▶ **ยึดชิ้นงานให้แน่น** การยึดชิ้นงานด้วยเครื่องหนีบหรือแท่นจับ
จะมั่นคงกว่าการยึดด้วยมือ
- ▶ **รักษาสถานที่ทำงานให้สะอาด** การผสมผสานของวัสดุ
ก่อให้เกิดอันตรายอย่างยิ่ง ผู้คนที่ได้จากโลหะน้ำหนักเบาอาจ
ลุกไหม้หรือระเบิดได้
- ▶ **ก่อนวางเครื่องลงบนพื้นทุกครั้ง ต้องรอให้เครื่องหยุดนิ่ง**
อยู่กับที่เสมอ มิฉะนั้นเครื่องมือที่ใส่อยู่อาจติดขัดและนำไปสู่
การสูญเสียการควบคุมเครื่องมือไฟฟ้า
- ▶ **อย่าใช้เครื่องมือที่สายไฟฟ้าชำรุด** หากสายไฟฟ้าชำรุด
ขณะทำงาน อย่าสัมผัสสายไฟฟ้าที่ชำรุด ให้ดึงปลั๊กไฟฟ้า
หลักออกจากเต้าเสียบ สายไฟฟ้าชำรุดเพิ่มความเสี่ยงจาก
การถูกไฟฟ้าช็อกหรือดูด

ลักษณะหน้าที่



ต้องอ่านคำเตือนเพื่อความปลอดภัยและคำสั่ง
ทั้งหมด การไม่ปฏิบัติตามคำเตือนและคำสั่งอาจ
เป็นสาเหตุให้ถูกไฟฟ้าดูด เกิดไฟไหม้ และ/หรือ
ได้รับบาดเจ็บอย่างร้ายแรง

ขณะอ่านคู่มือการใช้งานเครื่อง ให้เปิดหน้าที่แสดงภาพประกอบ
ของเครื่องและเปิดค้างไว้

ประโยชน์การใช้งานของเครื่อง

เครื่องนี้ใช้สำหรับเจาะกระแทกในอิฐ คอนกรีต และหิน นอกจากนี้
ยังใช้เจาะในไม้ โลหะ และพลาสติก เครื่องที่มีระบบควบคุม
อิเล็กทรอนิกส์และการหมุนซ้าย/ขวาสามารถใช้ขันสกรูและตัดเกลียว
ได้ด้วย

ส่วนประกอบผลิตภัณฑ์

ลำดับเลขของส่วนประกอบผลิตภัณฑ์อ้างอิงถึงส่วนประกอบของเครื่อง
ที่แสดงในหน้าภาพประกอบ

- 1 หัวจับดอกชนิดจับเร็ว*
- 2 ปลอกหน้า
- 3 ปลอกหลัง
- 4 สวิตช์ปรับ "เจาะ/เจาะกระแทก"
- 5 ปุ่มล็อกสวิตช์เปิด-ปิด
- 6 สวิตช์เปิด-ปิด
- 7 ปุ่มตั้งความเร็วรอบล่วงหน้า (GSB 16 RE)
- 8 สวิตช์เปลี่ยนทิศทางการหมุน
(GSB 10 RE/GSB 13 RE/GSB 16 RE)
- 9 ปุ่มปรับก้านวัดความลึก
- 10 น็อตปีกสำหรับปรับด้ามจับเพิ่ม
- 11 ด้ามจับเพิ่ม*
- 12 ก้านวัดความลึก*
- 13 ประแจหัวจับดอก*
- 14 หัวจับดอกชนิดมีเฟืองใน*
- 15 ด้ามจับดอกทัวไป*
- 16 ดอกไขควง*
- 17 ประแจขันหกเหลี่ยม**
- 18 ประแจปากตาย**

*อุปกรณ์ประกอบในภาพประกอบหรือในคำอธิบาย ไม่รวมอยู่ใน
การจัดส่งมาตรฐาน

**หาซื้อได้ทั่วไป (ไม่รวมอยู่ในขอบเขตการจัดส่ง)

ข้อมูลทางเทคนิค

ส่วนเจาะกระแทก	GSB ...	10	10 RE	13	13 RE	16	16 RE
	Professional						
หมายเลขสินค้า	3 601 ...	B16 0..	B16 1..	B17 0..	B17 1..	B18 0..	B18 1..
กำลังไฟฟ้าเข้ากำหนด	วัตต์	500	500	600	600	701	701
กำลังไฟฟ้าออก	วัตต์	250	250	301	301	351	351
ความเร็วรอบเดินเปล่า	รอบ/นาที	2600	0 – 2600	2800	0 – 2800	3000	0 – 3000
ความเร็วรอบขณะใช้งาน สูงสุด	รอบ/นาที	1610	1610	1570	1570	1640	1640
อัตรากระแทก	/นาที	25 700	25 700	25 070	25 070	26 270	26 270
กำลังบิดกำหนด	Nm	1,5	1,5	1,8	1,8	2,0	2,0
การตั้งความเร็วรอบล่วงหน้า		–	–	–	–	–	●
การหมุนซ้าย/ขวา		–	●	–	●	–	●
Ø-ปลอกหุ้มเพลา	มม.	43	43	43	43	43	43
Ø-การเจาะ สูงสุด							
– คอนกรีต	มม.	10	10	13	13	16	16
– เหล็ก	มม.	8	8	10	10	12	12
– ไม้	มม.	20	20	25	25	30	30
วงหนีบหัวจับดอก	มม.	1,5 – 10	1,5 – 10	1,5 – 13	1,5 – 13	1,5 – 13	1,5 – 13
น้ำหนักตามระเบียบการ- EPTA-Procedure 01/2003	กก.	1,5	1,5	1,7	1,7	1,9	1,9
ระดับความปลอดภัย		□/II	□/II	□/II	□/II	□/II	□/II

ค่าที่ใช้นี้ใช้ได้กับแรงดันไฟฟ้าระบุ [U] 230/240 โวลต์ ค่าเหล่านี้อาจผิดเพี้ยนไปสำหรับแรงดันไฟฟ้าที่ต่ำกว่า และโมเดลที่สร้างสำหรับเฉพาะประเทศ
เครื่องแต่ละเครื่องอาจมีชื่อทางการค้าแตกต่างกัน ดังนั้นกรุณาสังเกตหมายเลขสินค้าบนแผ่นป้ายรุ่นของเครื่องของท่าน

การประกอบ

ด้ามจับเพิ่ม (ดูภาพประกอบ A)

(GSB 13/GSB 13 RE/GSB 16/GSB 16 RE)

▶ ให้ใช้เครื่องมือไฟฟ้าพร้อมด้ามจับเพิ่ม 11 เสมอ

ท่านสามารถจับด้ามจับเพิ่ม 11 หนีไปยังตำแหน่งใดก็ได้ เพื่อจะได้ทำงานที่มั่นคงและเหนียวน้อย

หมุนน็อตปิกสำหรับปรับด้ามจับเพิ่ม 10 ไปในทิศทางเข็มนาฬิกา และตั้งด้ามจับเพิ่ม 11 ไปยังตำแหน่งที่ต้องการ จากนั้นจึงขันน็อตปิก 10 ไปในทิศทางเข็มนาฬิกากลับเข้าให้แน่น

การปรับความลึกรูเจาะ (ดูภาพประกอบ A)

ความลึกรูเจาะที่ต้องการ X สามารถตั้งได้ด้วยก้านวัดความลึก 12

กดปุ่มปรับก้านวัดความลึก 9 และสอดก้านวัดความลึกเข้าไปในด้ามจับเพิ่ม 11

ดันก้านวัดความลึกออกมาจนระยะห่างระหว่างปลายดอกสว่านและปลายก้านวัดความลึกเท่ากับความลึกรูเจาะที่ต้องการ X

การเปลี่ยนเครื่องมือ

- ▶ ดึงปลั๊กไฟออกจากเต้าเสียบก่อนปรับแต่งเครื่อง

หัวจับดอกชนิดจับเร็ว (ดูภาพประกอบ B)

จับปลอกท้าย 3 ของหัวจับดอกชนิดจับเร็ว 1 ให้แน่น และหมุน ปลอกหน้า 2 ไปในทิศทางหมุน ❶ จนสามารถสอดเครื่องมือได้ จับเครื่องมือใส่เข้าไป

จับปลอกหลัง 3 ของหัวจับดอกชนิดจับเร็ว 1 ให้แน่นและใช้มือ หมุนปลอกหน้า 2 ไปตามทิศ ❷ จนไม่ได้ยินเสียงลงล็อกอีกต่อไป ในลักษณะนี้หัวจับดอกส่วนจะล็อกโดยอัตโนมัติ

เมื่อต้องการถอดเครื่องมือออก ต้องปลดล็อกอีกครั้งโดยหมุน ปลอกหน้า 2 ไปในทิศตรงกันข้าม

หัวจับดอกชนิดมีเฟืองใน (ดูภาพประกอบ C)

- ▶ ใส่ถุงมือป้องกันอันตรายเมื่อเปลี่ยนเครื่องมือ หัวจับดอกจะ ร้อนจัดขึ้นได้เมื่อใช้เครื่องทำงานนานๆ

เปิดหัวจับดอกชนิดมีเฟืองใน 14 โดยการหมุนจนสามารถใส่ เครื่องมือได้ จับเครื่องมือใส่เข้าไป

สอดประแจหัวจับดอก 13 เข้าในรูที่ลงรอยกันบนหัวจับดอกชนิด มีเฟืองใน 14 และหนีบเครื่องมือเข้าเสมอกัน

เครื่องมือขัน (ดูภาพประกอบ D)

เมื่อใช้ดอกไขควง 16 ควรใช้ด้ามจับดอกทั่วไป 15 ด้วยเสมอ ต้องใช้ ไขควงที่มีขนาดพอดีกับหัวสกรู

เมื่อต้องการขันสกรู ให้สับสวิตช์ปรับ "เจาะ/เจาะกระแทก" 4 ไปที่ สัญลักษณ์ "เจาะ" เสมอ

การเปลี่ยนหัวจับดอก

- ▶ ดึงปลั๊กไฟออกจากเต้าเสียบก่อนปรับแต่งเครื่อง

การถอดหัวจับดอก (ดูภาพประกอบ E)

เมื่อต้องการถอดหัวจับดอกชนิดจับเร็ว 1 ออก ให้หนีบประแจขัน หกเหลี่ยม 17 เข้าในหัวจับดอกชนิดจับเร็ว 1 และวางประแจ ปากตาย 18 (ขนาด 12 มม.) เข้ากับพื้นที่ราบสำหรับประแจบน แกนขับ วางเครื่องลงบนที่ค้ำยันที่มั่นคง ต.ย. เช่น โต๊ะทำงานของ ช่าง จับประแจปากตาย 18 อย่างมั่นคง และคลายหัวจับดอกชนิด จับเร็ว 1 ออกโดยหมุนประแจขันหกเหลี่ยม 17 ไปในทิศการหมุน ❶ คลายหัวจับดอกชนิดจับเร็วที่ติดแน่นออกโดยกะที่ปลายด้านยาว ของประแจขันหกเหลี่ยม 17 เอาประแจขันหกเหลี่ยมออกจากหัวจับ ดอกชนิดจับเร็ว และขันหัวจับดอกชนิดจับเร็วออกจนสุด

การถอดหัวจับดอกชนิดมีเฟืองใน 14 ออกให้ทำในลักษณะเดียวกับ การถอดหัวจับดอกชนิดจับเร็ว

การประกอบหัวจับดอก (ดูภาพประกอบ F)

การประกอบหัวจับดอกชนิดจับเร็ว/หัวจับดอกชนิดมีเฟืองในเข้า ให้ทำตามลำดับย้อนหลัง

- ⚠ **ต้องขันหัวจับดอกเข้าให้แน่นด้วยกำลังบิดการขัน ประมาณ 30–35 Nm**

การดูแล/ซีลื้อ

- ▶ ผู้คนที่ได้จากวัสดุ เช่น เคลือบผิวที่มีสารตะกั่ว ไม้บางประเภท แร่ธาตุ และโลหะ อาจเป็นอันตรายต่อสุขภาพ การสัมผัสหรือ การหายใจเอาฝุ่นเข้าไปอาจทำให้เกิดปฏิกิริยาแพ้ฝุ่น และ/ หรือนำมาซึ่งโรคติดเชื้อระบบหายใจแก่ผู้ใช้เครื่องหรือผู้ที่ยืนอยู่ ใกล้เคียง
- ▶ ฝุ่นบางประเภท เช่น ฝุ่นไม้โอ๊ก หรือไม้บีช นับเป็นสารที่ทำให้เกิด มะเร็ง โดยเฉพาะอย่างยิ่งเมื่อผสมกับสารเติมแต่งเพื่อบำบัดไม้ (โคเรเมต ผลิตภัณฑ์รักษาเนื้อไม้) สำหรับวัสดุที่มีแอสเบสทอส ต้องให้ผู้เชี่ยวชาญทำงานเท่านั้น
- ใช้อุปกรณ์ดูดฝุ่นออกทุกครั้งเมื่อเป็นไปได้
- จัดสถานที่ทำงานให้มีการระบายอากาศที่ดี
- ขอแนะนำให้สวมหน้ากากป้องกันการติดเชื้อที่มีระดับ- ใต้กรอง P2

ปฏิบัติตามกฎข้อบังคับสำคัญอื่นๆ ที่เกี่ยวกับวัสดุชิ้นงาน ที่บังคับ ใช้ในประเทศของท่าน

การปฏิบัติงาน

เริ่มต้นปฏิบัติงาน

- ▶ ให้สังเกตแรงดันไฟฟ้า แรงดันไฟฟ้าจากแหล่งจ่ายไฟฟ้าต้องมีค่าตรงกับค่าแรงดันไฟฟ้าที่ระบุไว้บนแผ่นป้ายติดเครื่อง

การกลับทิศทางการหมุน (ดูภาพประกอบ G-H)
(GSB 10 RE/GSB 13 RE/GSB 16 RE)

สวิตช์เปลี่ยนทิศทางการหมุน 8 ใช้สำหรับกลับทิศทางการหมุนของเครื่อง อย่างไรก็ตาม หากกดสวิตช์เปิด-ปิด 6 อยู่ จะกลับทิศทางการหมุนไม่ได้

การหมุนทางขวา: สำหรับการเจาะและขันสกรูเข้า ให้สับสวิตช์เปลี่ยนทิศทางการหมุน 8 ไปทางซ้ายจนสุด

การหมุนทางซ้าย: สำหรับการคลายและขันสกรูและน็อตออก ให้กดสวิตช์เปลี่ยนทิศทางการหมุน 8 ไปทางขวาจนสุด

การเปิด-ปิดเครื่อง

เปิดเครื่องทำงานโดยกดสวิตช์เปิด-ปิด 6 และกดค้างไว้

ล็อกสวิตช์เปิด-ปิด 6 **ที่กดค้างไว้** โดยกดปุ่มล็อกสวิตช์เปิด-ปิด 5

ปิดเครื่องโดยปล่อยนิ้วจากสวิตช์เปิด-ปิด 6 หรือในกรณีที่ถูกล็อกด้วยปุ่มล็อก 5 อยู่ ให้กดสวิตช์เปิด-ปิด 6 สั้นๆ และปล่อยนิ้ว

การปรับความเร็วรอบ/กระทก

(GSB 10 RE/GSB 13 RE/GSB 16 RE)

ท่านสามารถปรับอัตราความเร็วรอบ/กระทกของเครื่องมือไฟฟ้าที่เปิดสวิตช์ทำงานได้อย่างต่อเนื่อง ทั้งนี้ขึ้นอยู่กับแรงที่กดลงบนสวิตช์เปิด-ปิด 6

กดสวิตช์เปิด-ปิด 6 เบาๆ ได้ อัตราความเร็วรอบ/กระทกต่ำ
กดสวิตช์แรงขึ้น อัตราความเร็วรอบ/กระทกจะเพิ่มขึ้น

การตั้งความเร็วรอบ/กระทกล่วงหน้า (GSB 16 RE)

ความเร็วรอบ/กระทกที่ต้องการสามารถตั้งล่วงหน้าได้ด้วยปุ่มตั้งความเร็วรอบล่วงหน้า 7 และตั้งได้แม้ขณะเครื่องกำลังเดินอยู่

ความเร็วรอบ/กระทกที่ต้องใช้ขึ้นอยู่กับประเภทวัสดุและเงื่อนไขการทำงาน และสามารถกำหนดได้จากการทดลองฝึกปฏิบัติ

การตั้งวิธีการปฏิบัติงาน



เจาะ และ ขันสกรู

สับสวิตช์ปรับ 4 ไปที่สัญลักษณ์ "เจาะ"



เจาะกระทก

สับสวิตช์ปรับ 4 ไปที่สัญลักษณ์ "เจาะกระทก"

สวิตช์ปรับ 4 จะลงสลับอย่างเห็นได้ชัด และสามารถสลับขณะเครื่องกำลังเดินอยู่

ข้อแนะนำในการทำงาน

- ▶ **จับเครื่องมือไฟฟ้าเข้าขานหัวสกรู/น็อตเมื่อเครื่องปิดอยู่เท่านั้น** เครื่องมือที่หมุนอยู่อาจลื่นไถล

คำแนะนำ

หลังจากใช้เครื่องด้วยความเร็วต่ำเป็นเวลานาน ต้องทำให้เครื่องเย็นลงโดยปล่อยให้เครื่องเดินตัวเปล่าที่ความเร็วสูงสุดนานประมาณ 3 นาที

เมื่อต้องการเจาะกระเบื้อง ให้สับสวิตช์ปรับ 4 ไปที่สัญลักษณ์ "เจาะ" อย่าย่ำสวิตช์ไปที่สัญลักษณ์ "เจาะกระทก" หรือเจาะโดยการกระทก จนกว่าจะได้เจาะกระเบื้องทะลุแล้ว

เมื่อต้องการเจาะคอนกรีต หิน และกำแพงอิฐ ต้องใช้ดอกสว่านที่ทำจากโลหะแข็ง

ให้ใช้เฉพาะดอกสว่าน HSS (HSS = high-speed steel) ที่รับประกันอย่างดีสำหรับเจาะโลหะ ดอกสว่านที่เป็นอุปกรณ์ประกอบของแท้ของ บอช รับประกันคุณภาพการเจาะ

ดอกสว่านเกลียวบิดขนาดตั้งแต่ 2,5–10 มม สามารถลับได้อย่างง่ายดายด้วยที่ลับดอกสว่าน (ดูอุปกรณ์ประกอบ)

GSB 16 RE

เราขอแนะนำให้ใช้แท่นเจาะ (ดูอุปกรณ์ประกอบ) เมื่อต้องทำงานที่ใช้ความเที่ยงตรงสูง

ปากกาสำหรับจับวัตถุเป็นอุปกรณ์ประกอบ ใช้สำหรับยึดชิ้นงานให้แน่นอยู่กับที่ ช่วยไม่ให้ชิ้นงานหมุนไปมา และป้องกัน อันตรายที่อาจจะเกิดขึ้นด้วย



การบำรุงรักษาและการบริการ

การบำรุงรักษาและการทำความสะอาด

- ▶ **ดึงปลั๊กไฟออกจากเต้าเสียบก่อนปรับแต่งเครื่อง**
- ▶ **เพื่อให้ทำงานได้อย่างถูกต้องและปลอดภัย ต้องรักษาเครื่องและช่องระบายอากาศให้สะอาดอยู่เสมอ**

เครื่องมือไฟฟ้านี้ผ่านกรรมวิธีการผลิตและตรวจสอบอย่างละเอียดถี่ถ้วนมาแล้ว ถึงกระนั้น หากเครื่องเกิดขัดข้อง ต้องส่งเครื่องให้ศูนย์บริการหลังการขายสำหรับเครื่องมือไฟฟ้า บ๊อช ซ่อมแซม

เมื่อต้องการสอบถามและสั่งซื้ออะไหล่ กรุณาแจ้งหมายเลขสินค้า สิบลักษณ์บนแผ่นป้ายรุ่นของเครื่องทุกครั้ง

การบริการหลังการขายและการให้คำแนะนำลูกค้า

ศูนย์บริการหลังการขายของเรายินดีตอบคำถามของท่านที่เกี่ยวกับการบำรุงรักษาและการซ่อมแซมผลิตภัณฑ์รวมทั้งเรื่องอะไหล่ ภาพขยายและข้อมูลเกี่ยวกับอะไหล่ กรุณาดูใน:

www.bosch-pt.com

แผนกให้คำปรึกษาลูกค้าของเราพร้อมให้คำแนะนำที่ดีที่สุดแก่ท่านในเรื่องการซื้อผลิตภัณฑ์ การใช้งานและการปรับแต่งผลิตภัณฑ์และอุปกรณ์ประกอบต่างๆ

ในกรณีประกัน ซ่อมแซม หรือซื้อชิ้นส่วนมาเปลี่ยน กรุณาติดต่อผู้ขายที่ได้รับแต่งตั้งเท่านั้น

ประเทศไทย

สำนักงาน

บริษัท โรเบิร์ต บ๊อช จำกัด
ชั้น 11 ตึกลิเบอร์ตี สแควร์
287 ถนนสีลม
กรุงเทพฯ 10500
โทรศัพท์ +66 (0)2 / 6 31 18 79 – 18 88 (10 หมายเลข)
โทรสาร +66 (0)2 / 2 38 47 83

ตู้ไปรษณีย์

บริษัท โรเบิร์ต บ๊อช จำกัด
แผนกเครื่องมือไฟฟ้า
ตู้ ปณ. 20 54
กรุงเทพฯ 10501
ประเทศไทย

ศูนย์บริการซ่อมและฝึกอบรม

ศูนย์บริการซ่อมและฝึกอบรมบ๊อช
2869 – 2869/1 ซอยบ้านกล้วย
ถนนพระรามที่ 4 (ใกล้ทางรถไฟสายปากน้ำเก่า)
พระโขนง
กรุงเทพฯ 10110
ประเทศไทย
โทรศัพท์ +66 (0)2 / 6 71 78 00 – 4
โทรสาร +66 (0)2 / 2 49 42 96
โทรสาร +66 (0)2 / 249 5299

การกำจัดขยะ

เครื่องมือ อุปกรณ์ประกอบ และที่บดห่อ ต้องนำไปแยกประเภทวัสดุเพื่อนำกลับมาใช้ใหม่โดยไม่ทำลายสภาพแวดล้อม

ขอสงวนสิทธิ์ในการเปลี่ยนแปลงโดยไม่ต้องแจ้งล่วงหน้า



Petunjuk-Petunjuk Umum untuk Perkakas Listrik

⚠ PERHATIKANLAH Bacalah semua petunjuk-petunjuk untuk keselamatan kerja dan petunjuk-petunjuk untuk penggunaan. Kesalahan dalam menjalankan petunjuk-petunjuk untuk keselamatan kerja dan petunjuk-petunjuk untuk penggunaan dapat mengakibatkan kontak listrik, kebakaran dan/atau luka-luka yang berat.

Simpanlah semua petunjuk-petunjuk untuk keselamatan kerja dan petunjuk-petunjuk lainnya untuk penggunaan di masa depan.

Kata „perkakas listrik“ yang disebutkan di dalam petunjuk-petunjuk untuk keselamatan kerja adalah sebutan untuk perkakas listrik pakai listrik jaringan (dengan kabel) dan untuk perkakas listrik pakai aki (tanpa kabel listrik).

1) Keselamatan kerja di tempat kerja

- a) **Jagalah supaya tempat kerja selalu bersih dan terang.** Tempat kerja yang tidak rapi atau tidak terang dapat mengakibatkan terjadinya kecelakaan.
- b) **Janganlah menggunakan perkakas listrik di tempat di mana dapat terjadi ledakan, di mana ada cairan, gas atau debu yang mudah terbakar.** Perkakas listrik dapat memancarkan bunga api yang lalu mengakibatkan debu atau uap terbakar.
- c) **Selama menggunakan perkakas listrik, jauhkan anak-anak dan orang-orang lain dari tempat kerja.** Jika konsentrasi terganggu, bisa jadi Anda tidak bisa mengendalikan perkakas listrik tersebut.

2) Keamanan listrik

- a) **Steker dari perkakas listrik harus cocok pada stopkontak. Janganlah sekali-kali merubah steker. Janganlah menggunakan steker perantara bersama dengan perkakas listrik yang mempunyai hubungan arde.** Steker yang tidak dirubah dan stopkontak yang cocok mengurangi bahaya terjadinya kontak listrik.

- b) **Jagalah supaya badan Anda tidak bersentuhan dengan permukaan yang mempunyai hubungan arde, misalnya pipa-pipa, radiator pemanas ruangan, kompor listrik dan lemari es.** Ada risiko besar terjadi kontak listrik, jika badan Anda mempunyai hubungan arde.

- c) **Jagalah supaya perkakas listrik tidak kena hujan atau menjadi basah.** Air yang masuk ke dalam perkakas listrik menambah risiko terjadinya kontak listrik.

- d) **Janganlah menyalah gunakan kabel listrik untuk mengangkat dan menggantungkan perkakas listrik atau untuk menarik steker dari stopkontak. Jagalah supaya kabel listrik tidak kena panas, minyak, pinggiran yang tajam atau bagian-bagian perkakas yang bergerak.** Kabel listrik yang rusak atau tersangkut menambah risiko terjadinya kontak listrik.

- e) **Jika Anda menggunakan perkakas listrik di luar gedung, gunakanlah hanya kabel sambungan yang juga cocok untuk pemakaian di luar gedung.** Penggunaan kabel sambungan yang cocok untuk pemakaian di luar gedung mengurangi risiko terjadinya kontak listrik.

- f) **Jika penggunaan perkakas listrik di tempat yang basah tidak bisa dihindarkan, gunakanlah sakelar pengaman terhadap arus penyimpangan.** Penggunaan sakelar pengaman terhadap arus penyimpangan mengurangi risiko terjadinya kontak listrik.

3) Keselamatan kerja

- a) **Berhati-hatilah selalu, perhatikanlah apa yang Anda kerjakan dan bekerjalah dengan seksama jika menggunakan perkakas listrik. Janganlah menggunakan perkakas listrik, jika Anda capai atau berada di bawah pengaruh narkoba, minuman keras atau obat.** Jika Anda sekejap mata saja tidak berhati-hati sewaktu menggunakan perkakas listrik, dapat terjadi luka-luka berat.

- b) Pakailah pakaian dan sarana pelindung dan pakailah selalu kaca mata pelindung.** Dengan memakai pakaian dan sarana pelindung, misalnya kedok anti debu, sepatu tertutup yang tidak licin, helm pelindung atau pemalut telinga sesuai dengan pekerjaan yang dilakukan dengan perkakas listrik, bahaya terjadinya luka-luka dapat dikurangi.
- c) Jagalah supaya perkakas listrik tidak dihidupkan secara tidak disengaja. Perhatikan bahwa perkakas listrik dalam penyetalan mati, jika steker disambungkan pada pengadaan listrik dan/atau aki, jika perkakas listrik diangkat atau dibawa.** Jika selama mengangkat perkakas listrik jari Anda berada pada tombol untuk menghidupkan dan mematikan atau perkakas listrik yang dalam penyetalan hidup disambungkan pada listrik, dapat terjadi kecelakaan.
- d) Lepaskan semua perkakas-perkakas penyetalan atau kunci-kunci pas sebelum perkakas listrik dihidupkan.** Perkakas atau kunci yang berada di dalam bagian yang berputar dapat mengakibatkan terjadinya luka-luka.
- e) Aturkan badan sedemikian sehingga Anda bisa bekerja dengan aman. Berdirilah secara mantap dan jagalah selalu keseimbangan.** Dengan demikian Anda bisa mengendalikan perkakas listrik dengan lebih baik, jika terjadi sesuatu dengan tiba-tiba.
- f) Pakailah pakaian yang cocok. Janganlah memakai pakaian yang longgar atau perhiasan. Jagalah supaya rambut, pakaian dan sarung tangan tidak masuk dalam bagian-bagian perkakas yang bergerak.** Pakaian yang longgar, rambut panjang atau perhiasan dapat tersangkut dalam bagian perkakas yang bergerak.
- g) Jika ada kemungkinan untuk memasang sarana penghisapan dan penampungan debu, perhatikan bahwa sarana-sarana ini telah dipasangkan dan digunakan dengan betul.** Penggunaan sarana penghisapan bisa mengurangi bahaya yang disebabkan debu.
- 4) Penggunaan dan penanganan perkakas listrik dengan seksama**
- a) Janganlah membebankan perkakas listrik terlalu berat. Gunakan selalu perkakas listrik yang cocok untuk pekerjaan yang dilakukan.** Dengan perkakas listrik yang cocok Anda bekerja lebih baik dan lebih aman dalam batas-batas kemampuan yang ditentukan.
- b) Janganlah menggunakan perkakas listrik yang tombolnya rusak.** Perkakas listrik yang tidak bisa dihidupkan atau dimatikan, berbahaya dan harus direparasikan.
- c) Tariklah steker dari stopkontak dan/atau keluarkan aki, sebelum Anda melakukan penyetalan pada perkakas listrik, mengganti alat-alat kerja atau sebelum menyimpan perkakas listrik.** Tindakan keselamatan kerja ini mengurangi bahaya perkakas listrik hidup secara tidak disengaja.
- d) Simpanlah perkakas listrik yang tidak digunakan di luar jangkauan anak-anak. Janganlah mengizinkan orang-orang yang tidak mengenal perkakas listrik ini atau yang belum membaca petunjuk-petunjuk ini, menggunakan perkakas listrik ini.** Perkakas listrik bisa menjadi berbahaya, jika digunakan oleh orang-orang yang tidak mengenalnya.
- e) Rawatlah perkakas listrik dengan seksama. Periksalah, apakah bagian-bagian perkakas listrik yang bergerak berfungsi dengan baik dan tidak tersangkut, apakah ada bagian-bagian yang patah atau rusak sedemikian, sehingga dapat mempengaruhi jalannya perkakas listrik. Biarkan bagian-bagian perkakas yang rusak direparasikan, sebelum Anda mulai menggunakan perkakas listrik.** Banyak kecelakaan terjadi karena perkakas listrik tidak dirawat dengan seksama.

f) **Perhatikan supaya alat-alat pemotong selalu tajam dan bersih.** Alat-alat pemotong dengan mata-mata pemotong yang tajam dan dirawat dengan seksama tidak mudah tersangkut dan lebih mudah dikendalikan.

g) **Gunakanlah semua perkakas listrik, aksesoris, alat-alat kerja dsb. sesuai dengan petunjuk-petunjuk. Perhatikan syarat-syarat kerja dan macam pekerjaan yang dilakukan.** Penggunaan perkakas listrik untuk macam pekerjaan yang tidak cocok dengan kegunaannya bisa mengakibatkan keadaan yang berbahaya.

5) Servis

a) **Biarkan perkakas listrik Anda direparasikan hanya oleh orang-orang ahli yang berpengalaman dan hanya dengan menggunakan suku cadang yang asli.** Dengan demikian terjamin keselamatan kerja dengan perkakas listrik ini secara sinambung.

Petunjuk-petunjuk khusus untuk perkakas-perkakas tertentu

GSB 13/GSB 13 RE/GSB 16/GSB 16 RE

- ▶ **Gunakanlah gagang tambahan-gagang tambahan yang dipasok bersama perkakas listrik.** Perkakas listrik yang tidak bisa dikendalikan bisa mengakibatkan terjadinya luka-luka.
- ▶ **Selama digunakan, peganglah perkakas listrik dengan kedua belah tangan dan perhatikanlah supaya Anda berdiri secara teguh.** Perkakas listrik bisa dikendalikan lebih baik jika dipegang dengan kedua belah tangan.

GSB 10/GSB 10 RE/GSB 13/GSB 13 RE/GSB 16/GSB 16 RE

- ▶ **Pakailah pemalut telinga jika menggunakan mesin bor getaran.** Jika Anda mendengar suara bising, daya pendengaran bisa berkurang.
- ▶ **Gunakanlah alat detektor logam yang cocok untuk mencari kabel dan pipa pengadaaan yang tidak terlihat, atau hubungi perusahaan pengadaan setempat.** Sentuhan dengan kabel-kabel listrik bisa mengakibatkan api dan kontak listrik. Pipa gas yang dirusak bisa mengakibatkan ledakan. Pipa air yang dirusak mengakibatkan barang-barang menjadi rusak.
- ▶ **Matikanlah segera perkakas listrik, jika alat kerjanya memblok. Berwaspadalah akan terjadinya momen reaksi yang besar yang mengakibatkan bantingan.** Alat kerja memblok jika:
 - perkakas listrik dibebankan terlalu berat atau
 - alat kerja tersangkut dalam benda yang dikerjakan.
- ▶ **Peganglah perkakas listrik hanya pada pegangan yang terisolir, jika Anda melakukan pekerjaan di mana alat kerjanya bisa terkena pada saluran listrik yang tidak terlihat atau kabelnya sendiri.** Sentuhan pada kabel yang bertegangan dapat mengakibatkan bagian-bagian logam dari perkakas listrik juga bertegangan dan lalu mengakibatkan kontak listrik.
- ▶ **Selama digunakan, peganglah perkakas listrik dengan kedua belah tangan dan perhatikanlah supaya Anda berdiri secara teguh.** Perkakas listrik bisa dikendalikan lebih baik jika dipegang dengan kedua belah tangan.
- ▶ **Usahakan supaya benda yang dikerjakan tidak goyang.** Benda yang ditahan dalam alat pemegang atau bais lebih mantap daripada benda yang dipegang dengan tangan.
- ▶ **Jagalah supaya tempat di mana Anda bekerja selalu bersih.** Campuran bahan-bahan sangat membahayakan. Debu logam ringan bisa terbakar atau meledak.

- ▶ **Sebelum meletakkan perkakas listrik, tunggulah sampai perkakas berhenti memutar.** Alat kerja bisa tersangkut dan membuat perkakas listrik tidak bisa dikendalikan.
- ▶ **Janganlah menggunakan perkakas listrik, jika kabelnya rusak. Janganlah menyentuh kabel yang rusak dan tariklah steker dari stopkontak, jika kabel menjadi rusak selama penggunaan perkakas listrik.** Kabel yang rusak membuat risiko terjadinya kontak listrik menjadi lebih besar.

Penjelasan tentang cara berfungsi



Bacalah semua petunjuk-petunjuk untuk keselamatan kerja dan petunjuk-petunjuk untuk penggunaan. Kesalahan dalam menjalankan petunjuk-petunjuk

untuk keselamatan kerja dan petunjuk-petunjuk untuk penggunaan dapat mengakibatkan kontak listrik, kebakaran dan/atau luka-luka yang berat.

Bukalah halaman lipatan dengan gambar dari perkakas dan biarkan halaman ini terbuka selama Anda membaca petunjuk-petunjuk untuk penggunaan.

Penggunaan perkakas listrik

Mesin ini cocok untuk membor dengan getaran pada batu bata, beton dan batu-batuan serta untuk membor tanpa getaran pada kayu, logam, keramik dan bahan sintetis. Mesin-mesin dengan pengendalian secara elektronika dan arah putaran ke kanan/kiri juga cocok untuk menyekrup dan mentap.

Bagian-bagian pada gambar

Nomor-nomor dari bagian-bagian perkakas pada gambar sesuai dengan gambar perkakas listrik pada halaman bergambar.

- 1 Cekaman mata bor yang dikunci dan dibuka dengan tangan*
- 2 Selubung depan
- 3 Selubung belakang
- 4 Sakelar untuk menyetel „tanpa getaran/dengan getaran“
- 5 Tombol pengunci untuk tombol untuk menghidupkan dan mematikan mesin
- 6 Tombol untuk menghidupkan dan mematikan
- 7 Roda untuk penyetelan pendahuluan kecepatan putaran (GSB 16 RE)
- 8 Omsakelar arah putaran (GSB 10 RE/GSB 13 RE/GSB 16 RE)
- 9 Tombol untuk mengganti penyetelan pembatas kedalaman lubang
- 10 Baut kupu-kupu untuk penyetelan gagang tambahan
- 11 Gagang tambahan*
- 12 Pembatas kedalaman*
- 13 Kunci cekaman mata bor*
- 14 Cekaman mata bor pakai kunci bergigi*
- 15 Pemegang mata obeng bit*
- 16 Mata obeng bit*
- 17 Kunci mur dalam**
- 18 Kunci pas**

***Aksesori yang ada dalam gambar atau yang dijelaskan tidak termasuk dalam mesin standar yang dipasok.**

****dijual secara umum (tidak termasuk perkakas listrik yang dipasok)**

Data teknis

Mesin bor getaran	GSB ... Professional	10	10 RE	13	13 RE	16	16 RE
Nomor model	3 601 ...	B16 0..	B16 1..	B17 0..	B17 1..	B18 0..	B18 1..
Masukan nominal	W	500	500	600	600	701	701
Daya	W	250	250	301	301	351	351
Kecepatan putaran tanpa beban	min ⁻¹	2600	0–2600	2800	0–2800	3000	0–3000
Kecepatan putaran maks. selama dibebani	min ⁻¹	1610	1610	1570	1570	1640	1640
Banyaknya getaran	min ⁻¹	25700	25700	25070	25070	26270	26270
Momen putar nominal	Nm	1,5	1,5	1,8	1,8	2,0	2,0
Penyetelan pendahuluan kecepatan putaran		–	–	–	–	–	●
Putaran ke kanan/kiri		–	●	–	●	–	●
Leher poros Ø	mm	43	43	43	43	43	43
Ø mata bor maks.							
– Beton	mm	10	10	13	13	16	16
– Baja	mm	8	8	10	10	12	12
– Kayu	mm	20	20	25	25	30	30
Kepala cekam yang bisa memegang mata bor	mm	1,5–10	1,5–10	1,5–13	1,5–13	1,5–13	1,5–13
Berat sesuai dengan EPTA-Procedure 01/2003	kg	1,5	1,5	1,7	1,7	1,9	1,9
Klasifikasi keamanan		□/II	□/II	□/II	□/II	□/II	□/II

Data-data berlaku untuk tegangan nominal [U] 230/240 V. Pada tegangan yang lebih rendah dan pada model khusus mancanegara data-data ini bisa berlainan.

Perhatikanlah nomor model perkakas listrik Anda yang tercantum pada label tipe mesin. Nama dagang dari beberapa perkakas listrik bisa berbeda.

Cara memasang**Gagang tambahan (lihat gambar A)
(GSB 13/GSB 13 RE/GSB 16/GSB 16 RE)**

- **Gunakanlah perkakas listrik hanya dengan gagang tambahan 11.**

Anda bisa memutar gagang tambahan 11 ke kedudukan yang cocok dengan macam pekerjaan, supaya posisi kerja mantap dan tidak begitu melelahkan.

Putarkan baut kupu-kupu untuk penyetelan gagang tambahan 10 dalam arah yang berlawanan dengan jalannya jarum jam dan putarkan gagang tambahan 11 ke kedudukan yang diperlukan. Setelah itu baut kupu-kupu 10 diputar dalam arah jalannya jarum jam untuk mengencangkannya kembali.

Menyetel kedalaman pemboran (lihat gambar A)

Dengan pembatas kedalaman lubang **12** kedalaman pemboran **X** bisa disetelkan.

Tekan tombol untuk mengganti penyetelan pembatas kedalaman lubang **9** dan pasang pembatas kedalaman lubang pada gagang tambahan **11**.

Tarik pembatas kedalaman lubang sedemikian, sampai jarak antara pucuk mata bor dan pucuk pembatas kedalaman lubang adalah kedalaman pemboran **X** yang dikehendaki.

Mengganti alat kerja

- **Sebelum mulai dengan pekerjaan pada perkakas listrik, tariklah steker dari stopkontak.**

Cekaman mata bor yang dikunci dan dibuka dengan tangan (lihat gambar B)

Pegangkan selubung belakang **3** dari cekaman mata bor yang dikunci dan dibuka dengan tangan **1** dan putarkan selubung depan **2** dalam arah putaran **⚙**, sampai alat kerja bisa dimasukkan. Pasangkan alat kerja.

Peganglah selubung bagian belakang **3** dari cekaman mata bor yang dikunci dan dibuka dengan tangan **1** dengan betul dan putarkan selubung bagian depan **2** dalam arah putaran **⚙** keras-keras dengan tangan sampai menutup, sampai tidak terdengar bunyi ceklek. Dengan demikian cekaman mata bor dikunci secara otomatis.

Penguncian terbuka kembali, jika pada waktu mengeluarkan alat kerja, selubung depan **2** diputar dalam arah yang berlawanan.

Cekaman mata bor pakai kunci bergigi (lihat gambar C)

- **Pakailah sarung tangan pelindung pada waktu mengganti alat kerja.** Cekaman mata bor bisa menjadi sangat panas jika digunakan untuk waktu yang lama.

Bukakan cekaman mata bor pakai kunci bergigi **14** dengan cara memutarannya, sampai alat kerja bisa dipasangkan. Pasangkan alat kerja.

Masukkan kunci cekaman mata bor **13** ke dalam lubang-lubang dari cekaman mata bor pakai kunci bergigi **14** dan kencangkan alat kerja secara rata.

Alat kerja untuk menyekrup (lihat gambar D)

Jika digunakan mata obeng bit **16**, gunakan selalu pemegang mata obeng bit **15**. Gunakanlah hanya mata obeng bit yang cocok pada kepala sekrap.

Untuk menyekrup, sakelar untuk menyetel „tanpa getaran/dengan getaran“ **4** selalu harus disetelkan pada simbol „membor (tanpa getaran)“.

Mengganti cekaman mata bor

- **Sebelum mulai dengan pekerjaan pada perkakas listrik, tariklah steker dari stopkontak.**

Melepaskan cekaman mata bor (lihat gambar E)

Untuk melepaskan cekaman mata bor yang dikunci dan dibuka dengan tangan **1**, masukkan satu kunci mur dalam **17** ke dalam cekaman mata bor yang dikunci dan dibuka dengan tangan **1** dan pasang satu kunci pas **18** (ukuran mulut 12) pada pipi untuk kunci pas pada poros mesin. Letakkan perkakas listrik pada alas yang stabil, misalnya meja kerja. Tahankan kunci pas **18** dan lepaskan cekaman mata bor yang dikunci dan dibuka dengan tangan **1** dengan cara memutar kunci mur dalam **17** dalam arah putar **⚙**. Cekaman mata bor yang dikunci dan dibuka dengan tangan yang terlalu kencang duduknya dilepaskan dengan cara memukul secara ringan pada gagang panjang dari kunci mur dalam **17**. Singkirkan kunci mur dalam dari cekaman mata bor yang dikunci dan dibuka dengan tangan dan putarkan cekaman mata bor yang dikunci dan dibuka dengan tangan sampai lepas sama sekali.

Cara melepaskan cekaman mata bor pakai kunci bergigi **14** sama dengan cara melepaskan cekaman mata bor yang dikunci dan dibuka dengan tangan.

Memasang cekaman mata bor (lihat gambar F)

Cara memasang cekaman mata bor yang dikunci dan dibuka dengan tangan/pakai kunci bergigi adalah seperti di atas tetapi dalam urutan terbalik.



Cekaman mata bor harus dikencangkan dengan momen kunci baut sebesar kira-kira 30–35 Nm.

Penghisapan debu/serbuk

► Debu dari bahan-bahan seperti misalnya cat yang mengandung timbel (timah hitam), beberapa jenis kayu, bahan mineral dan logam bisa berbahaya bagi kesehatan. Menyentuh atau menghirup debu-debu ini bisa mengakibatkan reaksi alergi dan/atau penyakit saluran pernafasan dari orang yang menggunakan mesin atau orang yang berada di dekatnya.

Beberapa debu tertentu seperti misalnya debu kayu pohon quercus atau pohon fagus silvatica dianggap bisa mengakibatkan penyakit kanker, terutama dalam campuran dengan bahan-bahan tambahan untuk pengolahan kayu (kromat, obat pengawet kayu). Bahan-bahan yang mengandung asbestos hanya boleh dikerjakan oleh orang-orang yang ahli.

- Gunakanlah sedapat mungkin sarana penghisap debu.
- Perhatikanlah supaya ada pertukaran udara di tempat kerja.
- Kami anjurkan supaya Anda memakai kedok anti debu dengan saringan (filter) kelas P2.

Taatilah peraturan-peraturan untuk bahan-bahan yang dikerjakan yang berlaku di negara Anda.

Penggunaan

Cara penggunaan

- **Perhatikan tegangan jaringan listrik!**
Tegangan jaringan listrik harus sesuai dengan tegangan listrik yang tercantum pada label tipe perkakas listrik.

Menyetel arah putaran (lihat gambar-gambar G–H) (GSB 10 RE/GSB 13 RE/GSB 16 RE)

Dengan omsakelar arah putaran **8** Anda bisa merubah arah putaran dari perkakas listrik. Akan tetapi ini tidak mungkin jika tombol untuk menghidupkan dan mematikan mesin **6** sedang ditekan.

Arah putaran ke kanan: untuk membor dan memutar masuk sekrup, tekan omsakelar arah putaran **8** ke kiri sampai batas.

Arah putaran ke kiri: untuk melepaskan atau memutar ke luar sekrup dan mur, tekan omsakelar arah putaran **8** ke kanan sampai batas.

Menghidupkan/mematikan perkakas listrik

Untuk **menghidupkan**, tekan tombol untuk menghidupkan dan mematikan **6** dan tahan tekanan.

Untuk **mengunci** tombol untuk menghidupkan dan mematikan **6** yang tertekan, tekan tombol pengunci **5**.

Untuk **mematikan**, lepaskan tombol untuk menghidupkan dan mematikan **6** atau jika dikunci dengan tombol pengunci **5**, tekan sebentar tombol **6** dan lepaskan.

Menyetel kecepatan putaran/banyaknya getaran (GSB 10 RE/GSB 13 RE/GSB 16 RE)

Anda bisa mengatur kecepatan putaran/banyaknya getaran pada perkakas listrik yang sedang berjalan tanpa tingkatan, dengan cara menambah atau mengurangi tekanan pada tombol untuk menghidupkan dan mematikan **6**.

Tekanan yang ringan pada tombol untuk menghidupkan dan mematikan **6** mengakibatkan kecepatan putaran yang rendah/banyaknya getaran yang sedikit. Jika tekanan ditambah, kecepatan putaran/banyaknya getaran bertambah pula.

Penyetelan pendahuluan kecepatan putaran/banyaknya getaran (GSB 16 RE)

Dengan roda untuk penyetelan pendahuluan kecepatan putaran **7**, Anda bisa menyetelkan kecepatan putaran/banyaknya getaran yang dibutuhkan, juga selama perkakas listrik sedang berputar.

Kecepatan putaran/banyaknya getaran yang dibutuhkan tergantung dari bahan yang dikerjakan dan macam pekerjaan dan bisa didapatkan dengan melakukan uji coba sebelumnya.

Menyetel macam pekerjaan



Membor dan menyekrup

Setelkan sakelar untuk menyetel „tanpa getaran/dengan getaran“ **4** pada simbol „membor tanpa getaran“.



Membor dengan getaran

Setelkan sakelar untuk menyetel „tanpa getaran/dengan getaran“ **4** pada simbol „membor dengan getaran“.

Sakelar untuk menyetel „tanpa getaran/dengan getaran“ **4** terasa mengancing dan bisa digerakkan juga selama motor perkakas listrik sedang hidup.

Petunjuk-petunjuk untuk pemakaian

- ▶ **Pasangkan perkakas listrik pada mur/sekrup hanya jika perkakas listrik dalam keadaan mati.** Alat kerja-alat kerja yang berputar bisa meleset.

Tips

Setelah perkakas listrik digunakan untuk waktu yang lama dengan kecepatan putaran yang rendah, perkakas listrik didinginkan dengan cara membiarkan perkakas listrik berputar tanpa beban pada kecepatan putaran maksimum kira-kira selama 3 menit.

Untuk membor batu ubin/tegel, setelkan sakelar **4** pada simbol „membor“ (tanpa getaran). Baru setelah ubin tembus, sakelar disetelkan pada simbol „membor dengan getaran“ dan lanjutkan pekerjaan dengan getaran.

Jika mengerjakan beton, batu-batuan dan tembok, pakailah mata bor baja intan.

Untuk pemboran dalam logam, gunakanlah hanya mata bor HSS (HSS = High Speed Steel, baja cepat) yang mulus dan telah diasah. Mutu ini dipenuhi oleh program aksesoris dari Bosch.

Dengan alat pengasah mata bor (aksesori), Anda bisa mengasah mata bor spiral dengan garis tengah 2,5–10 mm tanpa kesulitan.

GSB 16 RE

Untuk pekerjaan yang memerlukan ketelitian, gunakanlah standar mesin bor (aksesori).

Dengan basis mesin yang bisa dibeli sebagai aksesoris, benda yang dikerjakan bisa dipegang dengan aman. Dengan demikian benda yang dikerjakan tidak memutar dan tidak terjadi kecelakaan karenanya.

Rawatan dan servis

Rawatan dan kebersihan

- ▶ **Sebelum mulai dengan pekerjaan pada perkakas listrik, tariklah steker dari stopkontak.**
- ▶ **Perkakas listrik dan lubang ventilasi harus selalu dibersihkan supaya perkakas bisa digunakan dengan baik dan aman.**

Jika pada suatu waktu perkakas listrik ini tidak bisa berjalan meskipun telah diproduksi dan diperiksa dengan seksama, maka reparasinya harus dilakukan oleh Service Center perkakas listrik Bosch yang resmi.

Jika Anda hendak menanyakan sesuatu atau memesan suku cadang, sebutkan selalu nomor model yang terdiri dari 10 angka dan tercantum pada label tipe perkakas.



Layanan pasca beli dan konsultasi bagi pelanggan

Layanan pasca beli Bosch menjawab semua pertanyaan Anda tentang reparasi dan perawatan serta tentang suku cadang produk ini. Gambar tiga dimensi dan informasi tentang suku cadang bisa Anda lihat di:

www.bosch-pt.com

Tim konsultan Bosch dengan senang hati membantu Anda pada pembelian, penggunaan dan penyetelan produk ini dan aksesorinya.

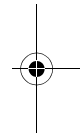
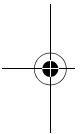
Indonesia

PT. Multi Tehaka
Kawasan Industri Pulogadung
Jalan Rawa Gelam III No. 2
Jakarta 13930
Indonesia
Tel.: +62 (21) 4 60 12 28
Fax: +62 (21) 46 82 68 23
E-Mail: sales@multitehaka.co.id
www.multitehaka.co.id

Cara membuang

Perkakas listrik, aksesoris dan kemasan sebaiknya didaur ulang sesuai dengan upaya untuk melindungi lingkungan hidup.

Perubahan adalah hak Bosch.



Cảnh báo tổng quát cách sử dụng an toàn dụng cụ điện cầm tay

⚠ CẢNH BÁO Đọc kỹ mọi cảnh báo an toàn và hướng dẫn. Không tuân thủ mọi cảnh báo và hướng dẫn được liệt kê dưới đây có thể bị điện giật, gây cháy và/hoặc bị thương tật nghiêm trọng.

Hãy giữ tất cả tài liệu về cảnh báo và hướng dẫn để tham khảo về sau.

Thuật ngữ “dụng cụ điện cầm tay” trong phần cảnh báo là đề cập đến sự sử dụng dụng cụ điện cầm tay của bạn, loại sử dụng điện nguồn (có dây cắm điện) hay vận hành bằng pin (không dây cắm điện).

1) Khu vực làm việc an toàn

- Giữ nơi làm việc sạch và đủ ánh sáng. Nơi làm việc bừa bộn và tối tăm dễ gây ra tai nạn.
- Không vận hành dụng cụ điện cầm tay trong môi trường dễ gây nổ, chẳng hạn như nơi có chất lỏng dễ cháy, khí đốt hay rác. Dụng cụ điện cầm tay tạo ra các tia lửa nên có thể làm rác bén cháy hay bốc khói.
- Không để trẻ em hay người đến xem đứng gần khi vận hành dụng cụ điện cầm tay. Sự phân tâm có thể gây ra sự mất điều khiển.

2) An toàn về điện

- Phích cắm của dụng cụ điện cầm tay phải thích hợp với ổ cắm. Không bao giờ được cải biến lại phích cắm dưới mọi hình thức. Không được sử dụng phích tiếp hợp nối tiếp đất (dây mát). Phích cắm nguyên bản và ổ cắm đúng loại sẽ làm giảm nguy cơ bị điện giật.
- Tránh không để thân thể tiếp xúc với đất hay các vật có bề mặt tiếp đất như đường ống, lò sưởi, hàng rào và tủ lạnh. Có nhiều nguy cơ bị điện giật hơn nếu cơ thể bạn bị tiếp hay nối đất.
- Không được để dụng cụ điện cầm tay ngoài mưa hay ở tình trạng ẩm ướt. Nước vào máy sẽ làm tăng nguy cơ bị điện giật.

d) Không được lạm dụng dây dẫn điện. Không bao giờ được nắm dây dẫn để xách, kéo hay rút phích cắm dụng cụ điện cầm tay. Không để dây gần nơi có nhiệt độ cao, dầu nhớt, vật nhọn bén hay bộ phận chuyển động. Làm hỏng hay cuộn rối dây dẫn làm tăng nguy cơ bị điện giật.

e) Khi sử dụng dụng cụ điện cầm tay ngoài trời, dùng dây nối thích hợp cho việc sử dụng ngoài trời. Sử dụng dây nối thích hợp cho việc sử dụng ngoài trời làm giảm nguy cơ bị điện giật.

f) Nếu việc sử dụng dụng cụ điện cầm tay ở nơi ẩm ướt là không thể tránh được, dùng thiết bị ngắt mạch tự động (RCD) bảo vệ nguồn. Sử dụng thiết bị ngắt mạch tự động RCD làm giảm nguy cơ bị điện giật.

3) An toàn cá nhân

- Hãy tỉnh táo, biết rõ mình đang làm gì và hãy sử dụng ý thức khi vận hành dụng cụ điện cầm tay. Không sử dụng dụng cụ điện cầm tay khi đang mệt mỏi hay đang bị tác động do chất gây nghiện, rượu hay được phẩm gây ra. Một thoáng mất tập trung khi đang vận hành dụng cụ điện cầm tay có thể gây thương tích nghiêm trọng cho bản thân.
- Sử dụng trang bị bảo hộ cá nhân. Luôn luôn đeo kính bảo vệ mắt. Trang bị bảo hộ như khẩu trang, giày chống trượt, nón bảo hộ, hay dụng cụ bảo vệ tai khi được sử dụng đúng nơi đúng chỗ sẽ làm giảm nguy cơ thương tật cho bản thân.
- Phòng tránh máy khởi động bất ngờ. Bảo đảm công tắc máy ở vị trí tắt trước khi cắm vào nguồn điện và/hoặc lắp pin vào, khi nhắc máy lên hay khi mang xách máy. Ngáng ngón tay vào công tắc máy để xách hay kích hoạt dụng cụ điện cầm tay khi công tắc ở vị trí mở dễ dẫn đến tai nạn.
- Lấy mọi chìa hay khóa điều chỉnh ra trước khi mở điện dụng cụ điện cầm tay. Khóa hay chìa còn gắn dính vào bộ phận quay của dụng cụ điện cầm tay có thể gây thương tích cho bản thân.

- e) **Không rướn người. Luôn luôn giữ tư thế đứng thích hợp và thăng bằng.** Điều này tạo cho việc điều khiển dụng cụ điện cầm tay tốt hơn trong mọi tình huống bất ngờ.
- f) **Trang phục thích hợp. Không mặc quần áo rộng thùng thình hay mang trang sức. Giữ tóc, quần áo và găng tay xa khỏi các bộ phận chuyển động.** Quần áo rộng thùng thình, đồ trang sức hay tóc dài có thể bị cuốn vào các bộ phận chuyển động.
- g) **Nếu có các thiết bị đi kèm để nối máy hút bụi và các phụ kiện khác, bảo đảm các thiết bị này được nối và sử dụng tốt.** Việc sử dụng các thiết bị gom hút bụi có thể làm giảm các độc hại liên quan đến bụi gây ra.
- 4) **Sử dụng và bảo dưỡng dụng cụ điện cầm tay**
- a) **Không được ép máy. Sử dụng dụng cụ điện cầm tay đúng loại theo đúng ứng dụng của bạn.** Dụng cụ điện cầm tay đúng chức năng sẽ làm việc tốt và an toàn hơn theo đúng tiến độ mà máy được thiết kế.
- b) **Không sử dụng dụng cụ điện cầm tay nếu như công tắc không tắt và mở được.** Bất kỳ dụng cụ điện cầm tay nào mà không thể điều khiển được bằng công tắc là nguy hiểm và phải được sửa chữa.
- c) **Rút phích cắm ra khỏi nguồn điện và/hay pin ra khỏi dụng cụ điện cầm tay trước khi tiến hành bất kỳ điều chỉnh nào, thay phụ kiện, hay cắt dụng cụ điện cầm tay.** Các biện pháp ngăn ngừa như vậy làm giảm nguy cơ dụng cụ điện cầm tay khởi động bất ngờ.
- d) **Cất giữ dụng cụ điện cầm tay không dùng tới nơi trẻ em không lấy được và không cho người chưa từng biết dụng cụ điện cầm tay hay các hướng dẫn này sử dụng dụng cụ điện cầm tay.** Dụng cụ điện cầm tay nguy hiểm khi ở trong tay người chưa được chỉ cách sử dụng.
- e) **Bảo quản dụng cụ điện cầm tay. Kiểm tra xem các bộ phận chuyển động có bị sai lệch hay kẹt, các bộ phận bị rạn nứt và các tình trạng khác có thể ảnh hưởng đến sự vận hành của máy. Nếu bị hư hỏng, phải sửa chữa máy trước khi sử dụng.** Nhiều tai nạn xảy ra do bảo quản dụng cụ điện cầm tay tồi.
- f) **Giữ các dụng cụ cắt bén và sạch.** Bảo quản đúng cách các dụng cụ cắt có cạnh cắt bén làm giảm khả năng bị kẹt và dễ điều khiển hơn.
- g) **Sử dụng dụng cụ điện cầm tay, phụ kiện, đầu cài v. v., đúng theo các chỉ dẫn này, hãy lưu ý đến điều kiện làm việc và công việc phải thực hiện.** Sử dụng dụng cụ điện cầm tay khác với mục đích thiết kế có thể tạo nên tình huống nguy hiểm.
- 5) **Bảo dưỡng**
- a) **Đưa dụng cụ điện cầm tay của bạn đến thợ chuyên môn để bảo dưỡng, chỉ sử dụng phụ tùng đúng chủng loại để thay.** Điều này sẽ đảm bảo sự an toàn của máy được giữ nguyên.

Chỉ dẫn chi tiết để sử dụng máy an toàn

GSB 13/GSB 13 RE/GSB 16/GSB 16 RE

- ▶ **Luôn luôn sử dụng tay nắm phụ cung cấp kèm theo máy.** Sự mất kiểm soát có thể gây thương tích cho bản thân.
- ▶ **Khi sử dụng máy, luôn luôn giữ chặt máy bằng cả hai tay và tạo tư thế đứng vững chắc.** Dụng cụ điện cầm tay vận hành an toàn hơn khi dùng cả hai tay.

GSB 10/GSB 10 RE/GSB 13/GSB 13 RE/GSB 16/GSB 16 RE

- ▶ **Hãy mang chụp bảo vệ tai khi sử dụng các loại khoan đập.** Tác động của tiếng ồn có thể gây ra điếc tai.
- ▶ **Sử dụng thiết bị dò tìm thích hợp để xác định các đường hay ống dẫn công ích nằm âm trong khu vực làm việc hay liên hệ với cty công trình phúc lợi để nhờ giúp đỡ.** Tiếp xúc với dây điện có thể dẫn đến cháy và bị điện giật. Chạm đường dẫn khí đốt có thể gây nổ. Làm thủng ống dẫn nước có thể làm hư hại tài sản hay có thể gây ra điện giật.

50 | Tiếng Việt

- ▶ **Tắt máy ngay lập tức khi dụng cụ lắp vào máy đột nhiên bị nghẽn chặt. Đề phòng lực vận mạnh có thể được tạo ra do sự giật ngược.**

Dụng cụ lắp vào có thể bị nghẽn chặt khi:
 – dụng cụ điện cầm tay bị quá tải hay
 – bị chèn chặt trong vật gia công.

- ▶ **Chỉ nắm máy nơi nắm có bề mặt cách điện khi thực hiện công việc nơi mà dụng cụ cắt có thể chạm vào dây điện âm hay chính dây dẫn điện của máy.** Tiếp xúc với dây "sống" sẽ làm các bộ phận kim loại không được bao bọc của dụng cụ "có điện" và giật người vận hành máy.
- ▶ **Khi sử dụng máy, luôn luôn giữ chặt máy bằng cả hai tay và tạo tư thế đứng vững chắc.** Dụng cụ điện cầm tay vận hành an toàn hơn khi dùng cả hai tay.
- ▶ **Kẹp chặt vật gia công.** Vật gia công được kẹp bằng một thiết bị kẹp hay bằng ê-tô thì vững chắc hơn giữ bằng tay.
- ▶ **Giữ nơi làm việc của bạn gọn gàng.** Vật liệu có cấu tạo hỗn hợp là đặc biệt nguy hiểm. Bụi từ hợp kim nhẹ có thể cháy hay nổ.
- ▶ **Luôn luôn đợi cho máy hoàn toàn ngừng hẳn trước khi đặt xuống.** Dụng cụ lắp vào máy có thể bị kẹp chặt dẫn đến việc dụng cụ điện cầm tay bị mất điều khiển.
- ▶ **Không bao giờ được sử dụng máy có dây dẫn bị hỏng.** Không được chạm vào dây dẫn bị hỏng và kéo phích cắm điện nguồn ra trong lúc vận hành mà dây dẫn bị hỏng. Dây dẫn bị hỏng làm tăng nguy cơ bị điện giật.

Mô tả chức năng



Đọc kỹ mọi cảnh báo an toàn và mọi hướng dẫn. Không tuân thủ mọi cảnh báo và hướng dẫn được liệt kê dưới đây có thể bị điện giật, gây cháy và/hay bị thương tật nghiêm trọng.

Trong khi đọc các hướng dẫn sử dụng, mở trang gấp hình ảnh máy và để mở nguyên như vậy.

Dành sử dụng cho

Máy khoan có chức năng đập được thiết kế để khoan gạch, bê-tông và đá cũng như để khoan gỗ, kim loại và nhựa. Máy có trang bị bộ phận điều khiển điện tử và quay được chiều phải/trái cũng thích hợp cho việc bắt vít hay bắt ren

Biểu trưng của sản phẩm

Sự đánh số các biểu trưng của sản phẩm là để tham khảo hình minh họa của máy trên trang hình ảnh.

- 1 Mâm cặp không dùng chìa*
- 2 Khớp vòng ngoài
- 3 Khớp vòng trong
- 4 Gạc chọn chức năng "Khoan thường/Khoan đập"
- 5 Nút khoá giữ chế độ tự-chạy của công tắc Tắt/Mở
- 6 Công tắc Tắt/Mở
- 7 Núm xoay để chọn trước tốc độ (GSB 16 RE)
- 8 Gạc vận chuyển đổi chiều quay (GSB 10 RE/GSB 13 RE/GSB 16 RE)
- 9 Nút điều chỉnh cho cỡ định độ sâu
- 10 Vít tai chuẩn để điều chỉnh tay nắm phụ
- 11 Tay nắm phụ*
- 12 Cỡ định độ sâu*
- 13 Khóa của mâm cặp*
- 14 Mâm cặp khoan loại dùng chìa*
- 15 Đầu nối phổ thông*
- 16 Đầu vít*
- 17 Khóa lục giác**
- 18 Cờ-lê mở miệng**

*Các phụ tùng được minh họa hay mô tả không nằm trong tiêu chuẩn hàng hóa được giao kèm.

**Có bán trên thị trường (không nằm trong phạm vi được kèm theo máy khi giao hàng)

Thông số kỹ thuật

Khoan Đập	GSB ... Professional	10	10 RE	13	13 RE	16	16 RE
Mã số máy	3 601 ...	B16 0..	B16 1..	B17 0..	B17 1..	B18 0..	B18 1..
Công suất vào danh định	W	500	500	600	600	701	701
Công suất ra	W	250	250	301	301	351	351
Tốc độ không tải	v/p	2600	0 – 2600	2800	0 – 2800	3000	0 – 3000
Tốc độ quay chịu tải, tối đa.	v/p	1610	1610	1570	1570	1640	1640
Tần suất đập	bpm	25700	25700	25070	25070	26270	26270
Lực vặn danh định	Nm	1,5	1,5	1,8	1,8	2,0	2,0
Chọn Trước Tốc Độ		–	–	–	–	–	●
Quay Phải/Trái		–	●	–	●	–	●
Đường kính cổ trục	mm	43	43	43	43	43	43
Đường kính khoan tối đa							
– Bê-tông	mm	10	10	13	13	16	16
– Thép	mm	8	8	10	10	12	12
– Gỗ	mm	20	20	25	25	30	30
Phạm vi mâm cặp kẹp được	mm	1,5 – 10	1,5 – 10	1,5 – 13	1,5 – 13	1,5 – 13	1,5 – 13
Trọng lượng theo Quy trình EPTA-Procedure 01/2003 (chuẩn EPTA 01/2003)	kg	1,5	1,5	1,7	1,7	1,9	1,9
Cấp độ bảo vệ		□/II	□/II	□/II	□/II	□/II	□/II

Các giá trị đã cho có hiệu lực cho điện thế danh định [U] 230/240 V. Đối với điện thế thấp hơn và các loại máy dành riêng cho một số quốc gia, các giá trị này có thể thay đổi.

Xin vui lòng xem kỹ mã số máy trên nhãn máy của bạn. Tên thương mại của từng máy có thể khác nhau.

Sự lắp vào**Tay nắm phụ (xem hình A)
(GSB 13/GSB 13 RE/GSB 16/GSB 16 RE)**

- Chỉ vận hành máy của bạn khi đã gắn tay nắm phụ 11.

Tay nắm phụ 11 có thể chỉnh đặt ở bất cứ vị trí nào mà tạo ra được sự an toàn và tư thế làm việc thoải mái nhất.

Vặn bu-long tại hông điều chỉnh tay nắm phụ 10 theo chiều ngược chiều đồng hồ và chỉnh đặt tay nắm phụ 11 ở vào vị trí theo yêu cầu. Sau đó siết chặt bu-long tại hông 10 lại theo chiều đồng hồ.

Điều Chỉnh Cỡ Sâu Khoan (xem hình A)

Cỡ sâu muốn khoan **X** có thể chỉnh đặt bằng cỡ định độ sâu 12.


Nhấn nút chỉnh đặt cỡ định độ sâu 9 và lắp cỡ định độ sâu vào tay nắm phụ 11.


Kéo cỡ định độ sâu ra cho đến khi khoảng cách giữa đầu mũi khoan và đầu cỡ định độ sâu thích ứng với chiều sâu lỗ khoan muốn có **X**.

Thay Dụng Cụ

- ▶ Trước khi tiến hành bất cứ việc gì trên máy, kéo phích cắm điện nguồn ra.

Mâm Cặp Không Dùng Khóa (xem hình B)

Giữ chặt khớp vòng trong 3 của mâm cặp không dùng chìa 1 và vận khớp vòng ngoài 2 theo chiều quay , cho đến khi có thể lắp dụng cụ vào. Lắp dụng cụ vào.

Kèm giữ vòng trong 3 của mâm cặp không dùng chìa 1 thật chắc và vận mạnh vòng ngoài 2 theo chiều quay  bằng tay cho đến khi không còn nghe thấy tiếng của động tác khóa nữa. Thao tác này tự động khóa mâm cặp khoan lại.

Động tác khóa được giải phóng để lấy dụng cụ ra khi khớp vòng ngoài 2 được vận theo chiều ngược lại.

Mâm Cặp Khoan Dùng Khóa (xem hình C)

- ▶ **Mang găng tay bảo hộ khi thay dụng cụ.** Mâm cặp có thể trở nên rất nóng trong suốt thời gian dài liên tục hoạt động.

Mở mâm cặp khoan dùng khóa 14 bằng cách vận cho đến khi dụng cụ có thể lắp vào được. Lắp dụng cụ vào.

Tra khóa mâm cặp vào 13 trong các lỗ tương ứng của mâm cặp khoan dùng khóa 14 và vận để kẹp dụng cụ lại một cách đồng bộ.

Dụng Cụ Bất Vít (xem hình D)


Khi làm việc với các mũi vít 16, luôn luôn nên sử dụng 15 loại đầu nối phổ thông. Chỉ dùng mũi vít vừa khớp với đầu vít.

Để bắt vít vào, luôn luôn đặt vị trí gạt chọn "Khoan thường/Khoan Đập" 4 về biểu tượng "Khoan thường".

Thay Mâm Cặp Khoan

- ▶ Trước khi tiến hành bất cứ việc gì trên máy, kéo phích cắm điện nguồn ra.


Lấy Mâm Cặp Khoan Ra (xem hình E)

Để tháo mâm cặp không dùng chìa 1, tra chìa vận sáu cạnh 17 vào trong mâm cặp không dùng chìa để kèm chặt lại 1, và tra chìa vận mở miệng 18 (cỡ 12 mm) áp sát vào phần má dẹt của trục truyền động. Đặt máy lên trên một mặt kê đỡ vững chắc, vd., bàn thợ. Giữ chìa vận mở miệng 18 thật chắc và tháo lỏng mâm cặp không dùng chìa 1 bằng cách vận chìa vận sáu cạnh 17 theo chiều quay . Làm long mâm cặp không dùng chìa đang dính sát ra bằng cách đập lên phần chuôi dài của chìa vận sáu cạnh 17. Tháo chìa vận sáu cạnh ra khỏi mâm cặp khoan không dùng chìa và tháo mâm cặp khoan ra hẳn.

Mâm cặp khoan dùng khóa 14 được tháo ra như cách của mâm cặp khoan không dùng khóa.

Gắn Mâm Cặp Khoan vào (xem hình F)

Mâm cặp khoan không dùng khóa/mâm cặp dùng khóa được lắp vào theo trình tự ngược lại.

 **Mâm cặp khoan phải được siết chặt với lực vận vào khoảng 30–35 Nm.**

Hút Dăm/Bụi

- ▶ Mạt bụi từ các vật liệu được sơn phủ ngoài có chứa chì trên số loại gỗ, khoáng vật và kim loại có thể gây nguy hại đến sức khỏe con người. Đụng chạm hay hít thở các bụi này có thể làm người sử dụng hay đứng gần bị dị ứng và/hoặc gây nhiễm trùng hệ hô hấp.

Một số mạt bụi cụ thể, ví dụ như bụi gỗ sồi hay đậu, được xem là chất gây ung thư, đặc biệt là có liên quan đến các chất phụ gia dùng xử lý gỗ (chất cromat, chất bảo quản gỗ). Có thể chỉ nên để thợ chuyên môn gia công các loại vật liệu có chứa amiăng.

- Hãy sử dụng máy hút bụi ở bất cứ nơi nào có thể.
- Tạo không khí thông thoáng nơi làm việc.
- Khuyến nghị nên mang mặt nạ phòng độc có bộ lọc cấp P2.

Tuân thủ các qui định của quốc gia bạn liên quan đến loại vật liệu gia công.

Vận Hành

Bắt Đầu Vận Hành

- ▶ **Tuân thủ theo đúng điện thế! Điện thế nguồn phải đúng với điện thế đã ghi rõ trên nhãn máy.**

Đảo Chiều Quay (xem hình G–H) (GSB 10 RE/GSB 13 RE/GSB 16 RE)

Gạc chuyển đổi chiều quay **8** được sử dụng để đảo lại chiều quay của máy. Tuy nhiên, việc này không thể thực hiện được cùng lúc với công tắc **Tắt/Mở 6** đang hoạt động.

Chiều Quay Phải: Để khoan hay bắt vít vào, đẩy gạc chuyển đổi chiều quay **8** về hết bên trái.

Chiều Quay Trái: Để nối hay là tháo vít hay là đai ốc, nhấn gạc chuyển đổi chiều quay **8** qua hết bên phải.

Bật Mở và Tắt

Để khởi **động máy**, nhấn công tắc **Tắt/Mở 6** và nhấn giữ xuống.

Để khóa, **nhấn** công tắc **Tắt/Mở 6**, nhấn nút khóa tự-chạy **5** vào.

Để **tắt máy**, nhả công tắc **Tắt/Mở 6** ra hay khi công tắc đã được khóa bằng nút khóa tự-chạy **5**, nhấn nhanh công tắc **Tắt/Mở 6** và rời nhả ra.

Điều chỉnh Tốc Độ/Tần suất Đập (GSB 10 RE/GSB 13 RE/GSB 16 RE)

Có thể điều chỉnh thay đổi tốc độ/tần suất đập của dụng cụ điện đang hoạt động, tùy theo mức độ công tắc **Tắt/Mở 6** được bóp vào.

Lực áp nhẹ lên công tắc **Tắt/Mở 6** tạo ra tốc độ thấp/tần suất đập thưa. Lực áp mạnh hơn lên công tắc làm tăng tốc độ và tần suất đập.

Chọn trước Tốc độ/Tần suất Đập (GSB 16 RE)

bằng núm xoay chọn trước tốc độ **7**, tốc độ/tần suất đập mà ta muốn có, có thể định trước được ngay cả khi đang vận hành máy.

Tốc độ cần có/tần suất đập tùy thuộc vào vật liệu và các điều kiện làm việc, và có thể xác định được thông qua việc chạy thử nghiệm thực tế.

Chính Đặt Phương Thức Hoạt Động



Khoan Thường và Vặn Vít

Chính đặt gạc chọn **4** về biểu tượng "Khoan thường".



Khoan Đập

Chính đặt gạc chọn chức năng **4** về biểu tượng "Khoan Đập".

Gạc chọn chức năng **4** ăn khớp vào guồng máy có thể nhận biết được và cũng có thể kích hoạt được cả khi máy đang chạy.

Hướng Dẫn Sử Dụng

- ▶ **Tra dụng cụ điện cầm tay vào vít/đai ốc chỉ khi đã tắt công tắc.** Dụng cụ gắn trong máy đang xoay có thể trượt ra ngoài.

Mách nước

Sau thời gian dài vận hành máy liên tục ở tốc độ thấp, để làm máy nguội xuống, cho máy chạy không tải với tốc độ tối đa trong khoảng 3 phút.

Để khoan ngói, chỉnh đặt gạc chọn **4** về biểu tượng "Khoan thường". Không được gạc sang biểu tượng "Khoan Đập" hay thao tác với chế độ đập cho đến khi đã khoan xuyên qua ngói.

Dùng mũi khoan đầu cacbua khi khoan bê-tông, nơi có kết cấu nề và tường gạch.

Để khoan kim loại, chỉ nên dùng mũi khoan thép gió HSS thật sắc bén (HSS = thép tốc độ cao). Chất lượng đáp ứng chuẩn được đảm bảo trong chương trình phụ kiện của Bosch.

Mũi khoan xoắn ốc từ 2,5–10 mm có thể dễ dàng mài bén lại bằng dụng cụ mài mũi khoan (xem phần phụ kiện).

GSB 16 RE

Chúng tôi khuyên nên sử dụng giá khoan (xem phần phụ kiện) cho các công việc đặt biệt yêu cầu cần có độ chính xác cao.

Bàn kẹp máy, phụ kiện loại có thể mua được, đảm bảo sự kẹp vật gia công được chắc chắn. Điều này ngăn không làm cho vật gia công bị xoay và không bị tai nạn có thể xảy ra do sự cố này.

Bảo Dưỡng và Bảo Quản

Bảo Dưỡng Và Làm Sạch

- ▶ Trước khi tiến hành bất cứ việc gì trên máy, kéo phích cắm điện nguồn ra.
- ▶ Để được an toàn và máy hoạt động đúng chức năng, luôn luôn giữ máy và các khe thông gió được sạch.

Nếu giả như máy bị trục trặc dù đã được theo dõi cẩn thận trong quá trình sản xuất và đã qua chạy kiểm tra, sự sửa chữa phải do trung tâm bảo hành-bảo trì dụng cụ điện cầm tay Bosch thực hiện.

Trong mọi thư từ giao dịch và đơn đặt hàng phụ tùng, xin vui lòng luôn viết đủ 10 con số đã được ghi trên nhãn máy.

Dịch vụ hỗ trợ khách hàng và bảo hành-bảo trì

Bộ phận phục vụ hàng sau khi bán của chúng tôi trả lời các câu hỏi liên quan đến việc bảo dưỡng và sửa chữa các sản phẩm cũng như phụ tùng thay thế của bạn. Sơ đồ mô tả và thông tin về phụ tùng thay thế cũng có thể tra cứu theo dưới đây:

www.bosch-pt.com

Các nhân viên tư vấn khách hàng của chúng tôi trả lời các câu hỏi của bạn liên quan đến việc mua sản phẩm nào là tốt nhất, cách ứng dụng và điều chỉnh sản phẩm và các phụ kiện.

Việt Nam

Trung Tâm Thương Mại Sài Gòn
37 Tôn Đức Thắng
P. Bến Nghé
Q.1
Tp. Hcm
Việt Nam
Tel.: +84 (8) 9 11 13 74 – 9 11 13 75
Fax: +84 (8) 9 11 13 76

Thải bỏ

Máy, linh kiện và bao bì phải được phân loại để tái chế theo hướng thân thiện với môi trường.

Được quyền thay đổi nội dung mà không phải thông báo trước.

Avertissements de sécurité généraux pour l'outil

⚠ AVERTISSEMENT Lire tous les avertissements de sécurité et toutes les instructions. Ne pas suivre les avertissements et instructions peut donner lieu à un choc électrique, un incendie et/ou une blessure sérieuse.

Conserver tous les avertissements et toutes les instructions pour pouvoir s'y reporter ultérieurement.

Le terme « outil » dans les avertissements fait référence à votre outil électrique alimenté par le secteur (avec cordon d'alimentation) ou votre outil fonctionnant sur batterie (sans cordon d'alimentation).

1) Sécurité de la zone de travail

- a) **Conserver la zone de travail propre et bien éclairée.** Les zones en désordre ou sombres sont propices aux accidents.
- b) **Ne pas faire fonctionner les outils électriques en atmosphère explosive, par exemple en présence de liquides inflammables, de gaz ou de poussières.** Les outils électriques produisent des étincelles qui peuvent enflammer les poussières ou les fumées.
- c) **Maintenir les enfants et les personnes présentes à l'écart pendant l'utilisation de l'outil.** Les distractions peuvent vous faire perdre le contrôle de l'outil.

2) Sécurité électrique

- a) **Il faut que les fiches de l'outil électrique soient adaptées au socle. Ne jamais modifier la fiche de quelque façon que ce soit. Ne pas utiliser d'adaptateurs avec des outils à branchement de terre.** Des fiches non modifiées et des socles adaptés réduiront le risque de choc électrique.
- b) **Eviter tout contact du corps avec des surfaces reliées à la terre telles que les tuyaux, les radiateurs, les cuisinières et les réfrigérateurs.** Il existe un risque accru de choc électrique si votre corps est relié à la terre.

c) **Ne pas exposer les outils à la pluie ou à des conditions humides.** La pénétration d'eau à l'intérieur d'un outil augmentera le risque de choc électrique.

d) **Ne pas maltraiter le cordon. Ne jamais utiliser le cordon pour porter, tirer ou débrancher l'outil. Maintenir le cordon à l'écart de la chaleur, du lubrifiant, des arêtes ou des parties en mouvement.** Les cordons endommagés ou emmêlés augmentent le risque de choc électrique.

e) **Lorsqu'on utilise un outil à l'extérieur, utiliser un prolongateur adapté à l'utilisation extérieure.** L'utilisation d'un cordon adapté à l'utilisation extérieure réduit le risque de choc électrique.

f) **Si l'usage d'un outil dans un emplacement humide est inévitable, utiliser une alimentation protégée par un dispositif à courant différentiel résiduel (RCD).** L'usage d'un RCD réduit le risque de choc électrique.

3) Sécurité des personnes

- a) **Rester vigilant, regarder ce que vous êtes en train de faire et faire preuve de bon sens dans votre utilisation de l'outil. Ne pas utiliser un outil lorsque vous êtes fatigué ou sous l'emprise de drogues, d'alcool ou de médicaments.** Un moment d'inattention en cours d'utilisation d'un outil peut entraîner des blessures graves des personnes.
- b) **Utiliser un équipement de sécurité. Toujours porter une protection pour les yeux.** Les équipements de sécurité tels que les masques contre les poussières, les chaussures de sécurité antidérapantes, les casques ou les protections acoustiques utilisés pour les conditions appropriées réduiront les blessures de personnes.
- c) **Eviter tout démarrage intempestif. S'assurer que l'interrupteur est en position arrêt avant de brancher l'outil au secteur et/ou au bloc de batteries, de le ramasser ou de le porter.** Porter les outils en ayant le doigt sur l'interrupteur ou brancher des outils dont l'interrupteur est en position marche est source d'accidents.

- d) **Retirer toute clé de réglage avant de mettre l'outil en marche.** Une clé laissée fixée sur une partie tournante de l'outil peut donner lieu à des blessures de personnes.
- e) **Ne pas se précipiter. Garder une position et un équilibre adaptés à tout moment.** Cela permet un meilleur contrôle de l'outil dans des situations inattendues.
- f) **S'habiller de manière adaptée. Ne pas porter de vêtements amples ou de bijoux. Garder les cheveux, les vêtements et les gants à distance des parties en mouvement.** Des vêtements amples, des bijoux ou les cheveux longs peuvent être pris dans des parties en mouvement.
- g) **Si des dispositifs sont fournis pour le raccordement d'équipements pour l'extraction et la récupération des poussières, s'assurer qu'ils sont connectés et correctement utilisés.** Utiliser des collecteurs de poussière peut réduire les risques dus aux poussières.

4) Utilisation et entretien de l'outil

- a) **Ne pas forcer l'outil. Utiliser l'outil adapté à votre application.** L'outil adapté réalisera mieux le travail et de manière plus sûre au régime pour lequel il a été construit.
- b) **Ne pas utiliser l'outil si l'interrupteur ne permet pas de passer de l'état de marche à arrêt et vice versa.** Tout outil qui ne peut pas être commandé par l'interrupteur est dangereux et il faut le réparer.
- c) **Débrancher la fiche de la source d'alimentation en courant et/ou le bloc de batteries de l'outil avant tout réglage, changement d'accessoires ou avant de ranger l'outil.** De telles mesures de sécurité préventives réduisent le risque de démarrage accidentel de l'outil.
- d) **Conserver les outils à l'arrêt hors de la portée des enfants et ne pas permettre à des personnes ne connaissant pas l'outil ou les présentes instructions de le faire fonctionner.** Les outils sont dangereux entre les mains d'utilisateurs novices.

- e) **Observer la maintenance de l'outil. Vérifier qu'il n'y a pas de mauvais alignement ou de blocage des parties mobiles, des pièces cassées ou toute autre condition pouvant affecter le fonctionnement de l'outil. En cas de dommages, faire réparer l'outil avant de l'utiliser.** De nombreux accidents sont dus à des outils mal entretenus.

- f) **Garder affûtés et propres les outils permettant de couper.** Des outils destinés à couper correctement entretenus avec des pièces coupantes tranchantes sont moins susceptibles de bloquer et sont plus faciles à contrôler.

- g) **Utiliser l'outil, les accessoires et les lames etc., conformément à ces instructions, en tenant compte des conditions de travail et du travail à réaliser.** L'utilisation de l'outil pour des opérations différentes de celles prévues pourrait donner lieu à des situations dangereuses.

5) Maintenance et entretien

- a) **Faire entretenir l'outil par un réparateur qualifié utilisant uniquement des pièces de rechange identiques.** Cela assurera que la sécurité de l'outil est maintenue.

Instructions de sécurité spécifiques à l'appareil

GSB 13/GSB 13 RE/GSB 16/GSB 16 RE

- ▶ **Utiliser les poignées supplémentaires fournies avec l'outil électroportatif.** Le fait de perdre le contrôle de l'appareil électroportatif peut entraîner de blessures.
- ▶ **Toujours bien tenir l'outil électroportatif des deux mains et veiller à toujours garder une position de travail stable.** Avec les deux mains, l'outil électroportatif est guidé de manière plus sûre.

GSB 10/GSB 10 RE/GSB 13/ GSB 13 RE/GSB 16/GSB 16 RE

- ▶ **Lors de l'utilisation de perceuses à percussion, toujours porter une protection acoustique.** Une forte exposition au bruit peut provoquer une perte d'audition.
- ▶ **Utiliser des détecteurs appropriés afin de déceler des conduites cachées ou consulter les entreprises d'approvisionnement locales.** Un contact avec des conduites d'électricité peut provoquer un incendie ou un choc électrique. Un endommagement d'une conduite de gaz peut provoquer une explosion. La perforation d'une conduite d'eau provoque des dégâts matériels.
- ▶ **Arrêtez immédiatement l'appareil électrique lorsque l'outil coince. Attendez-vous à des couples de réaction importants causant un contrecoup.** L'outil se bloque lorsque :
 - l'appareil électrique est surchargé ou
 - lorsqu'il coince dans la pièce à travailler.
- ▶ **Tenir l'outil uniquement par les surfaces de préhension isolantes, pendant les opérations au cours desquelles l'accessoire coupant peut être en contact avec des conducteurs cachés ou avec son propre câble.** Le contact de l'accessoire coupant avec un fil « sous tension » peut également mettre « sous tension » les parties métalliques exposées de l'outil électrique et provoquer un choc électrique sur l'opérateur.
- ▶ **Toujours bien tenir l'outil électroportatif des deux mains et veiller à toujours garder une position de travail stable.** Avec les deux mains, l'outil électroportatif est guidé de manière plus sûre.
- ▶ **Bloquer la pièce à travailler.** Une pièce à travailler serrée par des dispositifs de serrage ou dans un étau est fixée de manière plus sûre que tenue dans les mains.
- ▶ **Tenir propre la place de travail.** Les mélanges de matériaux sont particulièrement dangereux. Les poussières de métaux légers peuvent être explosives ou inflammables.
- ▶ **Avant de déposer l'outil électroportatif, attendre que celui-ci soit complètement à l'arrêt.** L'outil risque de se coincer, ce qui entraîne une perte de contrôle de l'outil électroportatif.

- ▶ **Ne jamais utiliser un outil électroportatif dont le câble est endommagé. Ne pas toucher à un câble endommagé et retirer la fiche du câble d'alimentation de la prise du courant, au cas où le câble serait endommagé lors du travail.** Un câble endommagé augmente le risque d'un choc électrique.

Description du fonctionnement



Lire tous les avertissements et indications. Le non-respect des avertissements et instructions indiqués ci-après peut entraîner un choc électrique, un incendie et/ou de graves blessures sur les personnes.

Déplier le volet sur lequel l'appareil est représenté de manière graphique. Laisser le volet déplié pendant la lecture de la présente notice d'utilisation.

Utilisation conforme

L'appareil est conçu pour les travaux de perçage en frappe dans la brique, le béton et dans la pierre naturelle ainsi que pour le perçage dans le bois, le métal, la céramique et les matières plastiques. Les appareils avec réglage électronique et rotation à droite/à gauche sont également appropriés pour le vissage et le filetage.

Éléments de l'appareil

La numérotation des éléments de l'appareil se réfère à la représentation de l'outil électroportatif sur la page graphique.

- 1 Mandrin automatique*
- 2 Douille avant
- 3 Douille arrière
- 4 Commutateur « Perçage/Perçage à percussion »
- 5 Bouton de blocage pour l'interrupteur Marche/Arrêt
- 6 Interrupteur Marche/Arrêt
- 7 Molette de présélection de la vitesse (GSB 16 RE)

58 | Français

- 8** Commutateur du sens de rotation (GSB 10 RE/GSB 13 RE/GSB 16 RE)
9 Touche pour réglage de la butée de profondeur
10 Vis papillon pour déplacer la poignée supplémentaire
11 Poignée supplémentaire*
12 Butée de profondeur*
13 Clé de mandrin*
- 14** Mandrin à couronne dentée*
15 Porte-embout universel*
16 Embout*
17 Clé mâle coudée pour vis à six pans creux**
18 Clé à fourche**
- * Les accessoires décrits ou montrés ne sont pas compris dans l'emballage standard.**
**** disponible dans le commerce (non fourni avec l'appareil)**

Caractéristiques techniques

Perceuse à percussion	GSB ... Professional	10	10 RE	13	13 RE	16	16 RE
N° d'article	3 601 ...	B16 0..	B16 1..	B17 0..	B17 1..	B18 0..	B18 1..
Puissance absorbée nominale	W	500	500	600	600	701	701
Puissance utile	W	250	250	301	301	351	351
Vitesse de rotation en marche à vide	tr/min	2600	0-2600	2800	0-2800	3000	0-3000
Vitesse de rotation max. sous charge	tr/min	1610	1610	1570	1570	1640	1640
Nombre de chocs	tr/min	25700	25700	25070	25070	26270	26270
Couple nominal	Nm	1,5	1,5	1,8	1,8	2,0	2,0
Préréglage de la vitesse de rotation		-	-	-	-	-	●
Rotation à droite/à gauche		-	●	-	●	-	●
Ø collet de broche	mm	43	43	43	43	43	43
Ø perçage max.							
- Béton	mm	10	10	13	13	16	16
- Acier	mm	8	8	10	10	12	12
- Bois	mm	20	20	25	25	30	30
Plage de serrage du mandrin	mm	1,5-10	1,5-10	1,5-13	1,5-13	1,5-13	1,5-13
Poids suivant EPTA-Procédure 01/2003	kg	1,5	1,5	1,7	1,7	1,9	1,9
Classe de protection		□/II	□/II	□/II	□/II	□/II	□/II

Ces indications sont valables pour des tensions nominales de [U] 230/240 V. Ces indications peuvent varier pour des tensions plus basses ainsi que pour des versions spécifiques à certains pays.

Respectez impérativement le numéro d'article se trouvant sur la plaque signalétique de l'outil électroportatif. Les désignations commerciales des différents outils électroportatifs peuvent varier.

Montage

Poignée supplémentaire (voir figure A) (GSB 13/ GSB 13 RE/GSB 16/ GSB 16 RE)

- **N'utilisez l'outil électroportatif qu'avec la poignée supplémentaire 11.**

La poignée supplémentaire **11** peut être basculée dans n'importe quelle position, afin d'obtenir une position de travail sûre et peut fatigante.

Pour régler la poignée supplémentaire, tournez la vis papillon **10** dans le sens inverse des aiguilles d'une montre et faites tourner la poignée supplémentaire **11** dans la position souhaitée. Ensuite, resserrez la vis papillon **10** dans le sens des aiguilles d'une montre.

Réglage de la profondeur de perçage (voir figure A)

Avec la butée de profondeur **12** la profondeur de perçage souhaitée **X** peut être déterminée.

Appuyez sur la touche pour le réglage de la butée de profondeur **9** et placez la butée de profondeur dans la poignée supplémentaire **11**.

Sortez la butée de profondeur jusqu'à ce que la distance entre la pointe du foret et la pointe de la butée de profondeur corresponde à la profondeur de perçage souhaitée **X**.

Changement de l'outil

- **Avant d'effectuer des travaux sur l'outil électroportatif, retirez la fiche de la prise de courant.**

Mandrin automatique (voir figure B)

Tenir la douille arrière **3** du mandrin automatique **1** et ouvrir la douille avant **2** dans le sens de rotation **1** jusqu'à ce que l'outil puisse être monté. Mettre en place l'outil.

Tenir la douille arrière **3** du mandrin automatique **1** et manuellement tourner à fond la douille avant **2** dans le sens de rotation **2** jusqu'à ce qu'aucun clic ne se fasse entendre. Le mandrin de perçage se trouve alors verrouillé automatiquement.

Le verrouillage peut être desserré lorsqu'on tourne la douille avant **2** en sens inverse afin d'enlever l'outil.

Mandrin à couronne dentée (voir figure C)

- **Porter des gants de protection lors du changement d'outil.** En cas de travaux assez longs, le mandrin de perçage risque de chauffer fortement.

Ouvrez le mandrin à couronne dentée **14** par un mouvement de rotation jusqu'à ce que l'outil puisse être monté. Montez l'outil.

Introduisez la clé de mandrin **13** dans les perçages correspondants du mandrin à couronne dentée **14** et fixez l'outil de manière régulière.

Outils de vissage (voir figure D)

Lorsque des embouts sont utilisés **16**, il est recommandé d'utiliser un porte-embout universel **15**. N'utiliser que des embouts appropriés à la tête de vis.

Pour visser, toujours mettre le commutateur « Perçage/Perçage à percussion » **4** sur le symbole « Perçage ».

Changement du mandrin de perçage

- **Avant d'effectuer des travaux sur l'outil électroportatif, retirez la fiche de la prise de courant.**

Démontage du mandrin de perçage (voir figure E)

Pour démonter le mandrin automatique **1**, serrer une clé pour vis à six pans creux **17** dans le mandrin automatique **1** et placer une clé à fourche **18** (ouverture 12) sur la face de clé de la broche d'entraînement. Poser l'outil électroportatif sur un support stable, p. ex. un établi. Maintenir la clé à fourche **18** et desserrer le mandrin automatique **1** en tournant la clé pour vis à six pans creux **17** dans le sens de rotation **1**. Au cas où le mandrin automatique serait coincé, il suffit de donner un coup léger sur le bout long de la clé pour vis à six pans creux **17** afin de le desserrer. Enlever la clé pour vis à six pans creux du mandrin automatique et desserrer complètement le mandrin automatique.

Le démontage du mandrin à couronne dentée **14** se fait de la même manière que pour le mandrin automatique.

Montage du mandrin de perçage (voir figure F)

Le montage du mandrin automatique/du mandrin à couronne dentrée s'effectue dans l'ordre inverse.



Le mandrin de perçage doit être serré avec un couple de serrage de 30–35 Nm environ.

Aspiration de poussières/de copeaux

- ▶ Les poussières de matériaux tels que peintures contenant du plomb, certains bois, minéraux ou métaux, peuvent être nuisibles à la santé. Toucher ou aspirer les poussières peut entraîner des réactions allergiques et/ou des maladies respiratoires auprès de l'utilisateur ou de personnes se trouvant à proximité.

Certaines poussières telles que les poussières de chêne ou de hêtre sont considérées cancérigènes, surtout en connexion avec des additifs pour le traitement de bois (chromate, lazure). Les matériaux contenant de l'amiante ne doivent être travaillés que par des personnes qualifiées.

- Si possible, utilisez une aspiration des poussières.
- Veillez à bien aérer la zone de travail.
- Il est recommandé de porter un masque respiratoire de la classe de filtre P2.

Respectez les règlements en vigueur dans votre pays spécifiques aux matériaux à traiter.

Mise en marche**Mise en service**

- ▶ **Tenez compte de la tension du réseau ! La tension de la source de courant doit coïncider avec les indications se trouvant sur la plaque signalétique de l'outil électroportatif.**

Régler le sens de rotation (voir images G–H) (GSB 10 RE/GSB 13 RE/GSB 16 RE)

Avec le commutateur de sens de rotation **8** le sens de rotation de l'outil électroportatif peut être inversé. Ceci n'est cependant pas possible, quand l'interrupteur Marche/Arrêt **6** est appuyé.

Rotation à droite : Pour percer et visser, tourner le commutateur du sens de rotation **8** à fond vers la gauche.

Rotation à gauche : Pour desserrer ou dévisser des vis et des écrous, tourner le commutateur du sens de rotation **8** à fond vers la droite.

Mise en Marche/Arrêt

Pour **mettre** l'outil électroportatif en marche, appuyer sur l'interrupteur Marche/Arrêt **6** et le maintenir vous appuyez.

Pour **bloquer** l'interrupteur Marche/Arrêt appuyé **6**, appuyer sur le bouton de blocage **5**.

Afin **d'arrêter** l'appareil électroportatif, relâcher l'interrupteur Marche/Arrêt **6** ou, s'il est bloqué par le bouton de blocage **5**, appuyer brièvement sur l'interrupteur Marche/Arrêt **6**, puis le relâcher.

Réglage de la vitesse de rotation/de la fréquence de frappe (GSB 10 RE/GSB 13 RE/GSB 16 RE)

Vous pouvez régler en continu le nombre de tours/de coups pendant que l'outil électroportatif est en marche, en appuyant plus ou moins sur l'interrupteur de Marche/Arrêt **6**.

Une légère pression sur l'interrupteur Marche/Arrêt **6** entraîne une vitesse de rotation/une fréquence de frappe basse. Plus la pression augmente, plus la vitesse de rotation/la fréquence de frappe est élevée.

Préréglage de la vitesse de rotation/de la fréquence de frappe (GSB 16 RE)

La molette de réglage présélection de la vitesse de rotation **7** permet de présélectionner la vitesse de rotation/de la fréquence de frappe nécessaire (même durant l'utilisation de l'appareil).

La vitesse de rotation/la fréquence de frappe dépend du matériau à travailler et des conditions de travail et peut être déterminée par des essais pratiques.

Régler le mode de service



Visser et percer

Positionner le commutateur **4** sur le symbole « Perçage ».



Perçage à percussion

Positionner le commutateur **4** sur le symbole « Perçage à percussion ».

Le commutateur **4** s'encliquette de façon perceptible et peut être actionné même pendant que le moteur est en marche.

Instructions d'utilisation

- **Posez l'outil électroportatif sur la vis/sur l'écrou seulement lorsque l'appareil est éteint.** Les outils de travail en rotation peuvent glisser.

Conseils

Après avoir travaillé à une petite vitesse de rotation pendant une période relativement longue, faire travailler l'outil électroportatif à vide à la vitesse de rotation maximale pendant une durée de 3 minutes environ afin de le laisser refroidir.

Pour percer dans des carreaux de faïence, positionner le commutateur **4** sur le symbole « Perçage ». Une fois le carreau de faïence percé, positionner le commutateur sur le symbole « Perçage à percussion » et travailler avec frappe.

Pour les travaux de perçage dans le béton, la pierre et la maçonnerie, utiliser des forets en carbure.

Pour percer dans le métal, n'utiliser que des forets HSS aiguisés et en parfait état (HSS = aciers super rapides). La gamme d'accessoires Bosch vous assure la qualité nécessaire.

Avec l'appareil d'affûtage de forets (accessoire), il est possible d'aiguiser sans problèmes des forets hélicoïdaux d'un diamètre de 2,5–10 mm.

GSB 16 RE

Pour les travaux de très haute précision, utiliser un support de perçage (accessoire).

L'étai disponible comme accessoire permet de serrer l'outil fermement. Ceci empêche l'outil de bouger et de par là prévient les accidents.

Entretien et service après-vente

Nettoyage et entretien

- **Avant d'effectuer des travaux sur l'outil électroportatif, retirez la fiche de la prise de courant.**
- **Tenez toujours propres l'outil électroportatif ainsi que les ouïes de ventilation afin d'obtenir un travail impeccable et sûr.**

Si, malgré tous les soins apportés à la fabrication et au contrôle de l'appareil, celui-ci devait avoir un défaut, la réparation ne doit être confiée qu'à une station de service après-vente agréée pour outillage Bosch.

Pour toute demande de renseignement ou commande de pièces de rechange, précisez-nous impérativement le numéro d'article à dix chiffres de l'outil électroportatif indiqué sur la plaque signalétique.

Service après-vente et assistance des clients

Notre service après-vente répond à vos questions concernant la réparation et l'entretien de votre produit et les pièces de rechange. Vous trouverez des vues éclatées ainsi que des informations concernant les pièces de rechange également sous : **www.bosch-pt.com**

Les conseillers techniques Bosch sont à votre disposition pour répondre à vos questions concernant l'achat, l'utilisation et le réglage de vos produits et leurs accessoires.

Pour avoir des renseignements concernant la garantie, les travaux d'entretien ou de réparation ou les pièces de rechange, veuillez contacter votre détaillant spécialisé.

Élimination des déchets

Les outils électroportatifs, ainsi que leurs accessoires et emballages, doivent pouvoir suivre chacun une voie de recyclage appropriée.

Sous réserve de modifications.

الصيانة والخدمة

الصيانة والتنظيف

◀ اسحب القابس من مقبس الشبكة الكهربائية قبل إجراء أي عمل على العدة الكهربائية.

◀ حافظ دائماً على نظافة العدة الكهربائية وشقوق التهوية للعمل بشكل جيد وآمن.

عند حدوث أي خلل بالعدة الكهربائية بالرغم من أنها قد صنعت بعناية فائقة واجتازت اختبارات عديدة توجب إصلاحها في مركز خدمة وكالة عدد بوش الكهربائية.

يرجى ذكر رقم صنف الجهاز بالمراتب العشر بشكل ضروري عند الاستشارة وعند إرسال طلبيات قطع الغيار.

خدمة ومشورة الزبائن

يجيب مركز خدمة الزبائن على الأسئلة المطروحة بصدق تصليح وصيانة المنتج أيضاً بما يخص قطع الغيار. ستجد الرسوم الممددة والمعلومات عن قطع الغيار بموقع:

www.bosch-pt.com

سيساعدك فريق استشاري زبائن بوش بالإجابة على الأسئلة المطروحة بصدق شراء، استخدام، وضبط المنتجات وتوابعها.

يرجى التوجه إلى التاجر المختص بما يتعلق بأمور الضمان والتصليح وتأمين قطع الغيار.

التخلص من العدة الكهربائية

ينبغي التخلص من العدد الكهربائية والتوابع والغلاف بطريقة منصفة للبيئة عن طريق النفايات القابلة لإعادة التصنيع.

نحتفظ بحق إدخال التعديلات.

التشغيل

بدء التشغيل

انتبه إلى جهد الشبكة الكهربائية! يجب أن يتطابق جهد منبع التيار مع المعلومات المذكورة على لائحة طراز الجهاز.

ضبط اتجاه الدوران (تراجع الصورة H-G)
(GSB 10 RE / GSB 13 RE / GSB 16 RE)

يمكنك بواسطة مفتاح تحويل اتجاه الدوران 8 أن تقوم بتغيير اتجاه دوران العدة الكهربائية. ولكن لا يمكن تنفيذ ذلك عندما يكون مفتاح التشغيل والإطفاء 6 قيد التشغيل.

دوران يميني: لإجراء أعمال التنقيب وربط اللولب يضغط مفتاح تحويل اتجاه الدوران 8 إلى اليسار إلى حد التصادم.

دوران يساري: لخل أو نزع اللولب والصواميل يضغط مفتاح تحويل اتجاه الدوران 8 إلى اليمين إلى حد التصادم.

التشغيل والإطفاء

اضغط من أجل تشغيل العدة الكهربائية على مفتاح التشغيل والإطفاء 6 وحافظ على إبقائه مضغوطاً.

لتنشيط مفتاح التشغيل والإطفاء 6 وهو في حالة الانضغاط، يضغط زر التنشيط 5.

من أجل إطفاء العدة الكهربائية يترك مفتاح التشغيل والإطفاء 6 أو إن كان قد تمّ تثبيته بواسطة مفتاح التنشيط 5 فيضغط مفتاح التشغيل والإطفاء 6 للحظة ثم يترك بعد ذلك.

ضبط عدد الدوران/ عدد الطرق

(GSB 10 RE / GSB 13 RE / GSB 16 RE)

يمكنك أن تضبط عدد دوران/ طرق العدة الكهربائية قيد التشغيل دون تدريب، حسب مدى الضغط على مفتاح التشغيل والإطفاء 6.

يؤدي الضغط الخفيف على مفتاح التشغيل والإطفاء 6 إلى عدد دوران/ عدد طرق منخفض. ويرتفع عدد الدوران/ عدد الطرق بزيادة الضغط.

ضبط عدد الدوران/ عدد الطرق مسبقاً **(GSB 16 RE)**

يمكنك بواسطة عجلة ضبط عدد الدوران مسبقاً 7 أن تضبط عدد الدوران/ عدد الطرق المطلوب مسبقاً حتى أثناء التشغيل.

يتعلق عدد الدوران/ عدد الطرق المطلوب بإدأة الشغل وبظروف العمل ويمكن التوصل إليه عن طريق التجربة العملية.

ضبط نوع التشغيل

التنقيب وربط اللولب

ركز مفتاح التحويل 4 على رمز "التقب".



التنقيب المرفق بالطرق

اضبط مفتاح التحويل 4 على رمز "التنقيب المرفق بالطرق".



إن مفتاح التحويل 4 يتعاشق بصوت مسموع ويمكن تحويله حتى أثناء دوران المحرك.

ملاحظات شغل

ركز العدة الكهربائية على اللولب/ الصامولة فقط عندما تكون مطفأة. إن عدد الشغل الدوارة قد تنزلق.

نصائح

بعد تنفيذ الأعمال لفترة طويلة بعدد دوران صغير ينبغي تشغيل الجهاز على الفاضي لمدة ثلاث دقائق تقريباً بعدد الدوران الأقصى من أجل تبريده.

لثقب البلاط يركز مفتاح التحويل 4 على رمز "التقب". بعد اختراق البلاطة يركز مفتاح التحويل على رمز "التنقيب المرفق بالطرق" ويتابع الشغل بالتنقيب المرفق بالطرق.

استخدم لقم التنقيب المصنوعة من المعدن الصلد عند إجراء الأشغال في الخرسانة والحجر والجدران.

استخدم عند تنقيب المعادن فقط لقم التنقيب HSS = (الفولاذ العالي القدرة والسريع القطع) يضمن برنامج توابع بوش الجودة المناسبة.

يمكنك بواسطة جهاز شحذ لقم التنقيب (توابع) أن تشحذ لقم التنقيب اللاتوانية بقطر قدره 2,5-10 مم دون عناء.

GSB 16 RE

استخدم حامل التنقيب (توابع) لتنفيذ الأشغال الشديدة الدقة.

وتسمح ملزمة الآلات المتوفرة ضمن برنامج التوابع بشد قطعة الشغل بشكل آمن. ويمكن ذلك انبرام قطعة الشغل والحوادث الناتجة عن ذلك.

استبدال طرف المثقاب

◀ اسحب القابس من مقبس الشبكة الكهربائية قبل إجراء أي عمل على العدة الكهربائية.

فك طرف المثقاب (تراجع الصورة E)

من أجل فك طرف المثقاب السريع الشد **1** يلتمم ويشد مفتاح ربط سداسي الحواف داخلياً **17** في طرف المثقاب السريع الشد **1** ويركز مفتاح ربط مفتوح الفك **18** (عرض المفتاح 12) على سطح تركيز المفتاح بمحور الدوران. ضع العدة الكهربائية على قاعدة متينة، كمنضدة شغل مثلاً. امسك مفتاح الربط المفتوح الفك **18** بإحكام وحل طرف المثقاب السريع الشد **1** من خلال فتل مفتاح الربط السداسي الحواف داخلياً **17** باتجاه الدوران **1**. يتم حل طرف المثقاب السريع الشد في حال استعصائه من خلال طريقة خفيفة على الساق الطويلة بمفتاح الربط السداسي الحواف داخلياً **17**. انزع مفتاح الربط السداسي الحواف داخلياً عن طرف المثقاب السريع الشد وفك طرف المثقاب السريع الشد تماماً من خلال فتله.

يتم فك طرف المثقاب المسنن الطوق **14** بنفس الطريقة الموصوفة لظرف المثقاب السريع الشد.

تركيب طرف المثقاب (تراجع الصورة F)

يتم تركيب طرف المثقاب السريع الشد/المسنن الطوق بالتسلسل المعاكس.

⚠ يجب أن يتم شد طرف المثقاب بعزم دوران شد يتراوح من **30 - 35** نيوتن متر تقريباً.

شفط الغبار/ النشارة

◀ إن أغبرة بعض المواد كالطلاء الذي يحتوي على الرصاص، وبعض أنواع الخشب والفلزات والمعادن، قد تكون مضرّة بالصحة. إن ملامسة أو استنشاق الأغبرة قد يؤدي إلى ردود فعل زائدة الحساسية و/ أو إلى أمراض المجاري التنفسية لدى المستخدم أو لدى الأشخاص المتواجدين على مقربة من المكان.

تعتبر بعض الأغبرة المعينة، كأغبرة البلوط والزان بأنها مسببة للسرطان، ولا سيما بالاتصال مع المواد الإضافية لمعالجة الخشب (ملح حامض الكروميك، المواد الحافظة للخشب). يجوز أن يتم معالجة المواد التي تحتوي على الأسبستوس من قبل العمال المتخصصين فقط دون غيرهم.

- استخدم شافطة خواتية للغبار قدر الإمكان.

- حافظ على تهوية مكان الشغل بشكل جيد.

- ينصح بارتداء قناع وقاية للتنفس بفئة المرشح P2.

تراجع الأحكام السارية في بلدكم بالنسبة للمواد المرغوب معالجتها.

استبدال العدد

◀ اسحب القابس من مقبس الشبكة الكهربائية قبل إجراء أي عمل على العدة الكهربائية.

ظرف المثقاب السريع الشد (تراجع الصورة B)

امسك الليبسة الخلفية **3** بظرف المثقاب السريع الشد **1** بإحكام وافتل الليبسة الأمامية **2** نحو اتجاه الدوران **1** إلى الحد الذي يسمح بتركيب العدة. ركب العدة.

اقبض على الليبسة الخلفية **3** بظرف المثقاب السريع الشد **1** بإحكام واغلق الليبسة الأمامية **2** بفتلها باتجاه الدوران **2** بواسطة اليد بقوة، إلى حد عدم سماع صوت القابض الكلاسي. يتم إقفال ظرف المثقاب بذلك بشكل آلي. يتم فك الإقفال عند فتل الليبسة الأمامية **2** بالاتجاه المعاكس من أجل نزع العدة.

ظرف المثقاب المسنن الطوق (تراجع الصورة C)

◀ ارتد قفازات واقية عند استبدال العدة. قد يجمي ظرف المثقاب بشدة عند تنفيذ إجراءات العمل لفترة طويلة.

افتح ظرف المثقاب المسنن الطوق **14** من خلال فتله إلى أن تتمكن من تلقيم العدة. ركب العدة.

اغرز مفتاح ظرف المثقاب **13** في الفجوات المخصصة بظرف المثقاب المسنن الطوق **14** واحكم شد العدة بشكل منتظم.

عدد ربط اللوالب (تراجع الصورة D)

عندما تستخدم لقم ربط اللوالب **16** ينبغي أن تستعمل دائماً حامل لقم عام **15**. استخدم فقط لقم ربط اللوالب التي تلائم رأس اللوالب.

من أجل ربط اللوالب يركز مفتاح التحويل "التنقيب/التنقيب المرفق بالطرق" **4** دائماً على رمز "التنقب".

البيانات الفنية

16 RE	16	13 RE	13	10 RE	10	GSB ... Professional	آلة تنقيب مرفق بالطرق
B18 1..	B18 0..	B17 1..	B17 0..	B16 1..	B16 0..	3 601 ...	رقم الصنف
701	701	600	600	500	500	واط	القدرة الاسمية المقنية
351	351	301	301	250	250	واط	القدرة المعطاة
3000-0	3000	2800-0	2800	2600-0	2600	دقيقة ¹	عدد الدوران اللاحملي
1640	1640	1570	1570	1610	1610	دقيقة ¹	أقصى عدد الدوران الحملي
26270	26270	25070	25070	25700	25700	دقيقة ¹	عدد الطرق
2,0	2,0	1,8	1,8	1,5	1,5	نيوتن متر	عزم الدوران الاسمي
•	-	-	-	-	-		ضبط عدد الدوران مسبقاً
•	-	•	-	•	-		دوران يميني/ يساري
43	43	43	43	43	43	مم	Ø عتق محور الدوران
							Ø التنقيب الأقصى
16	16	13	13	10	10	مم	- الخرسانة
12	12	10	10	8	8	مم	- فولاذ
30	30	25	25	20	20	مم	- خشب
13-1,5	13-1,5	13-1,5	13-1,5	10-1,5	10-1,5	مم	مجال شد طرف المتقاب
							الوزن حسب EPTA-Procedure 01/2003
1,9	1,9	1,7	1,7	1,5	1,5	كغ	
II/□	II/□	II/□	II/□	II/□	II/□		فئة الوقاية

القيم سارية المفعول للجهود الاسمية 240/230 فولط [U]. قد تختلف هذه القيم عندما يقل الجهد عن ذلك أو بطرازات خاصة ببلدان معينة.

يرجى مراعاة رقم الصنف على لافتة طراز عدتك الكهربائية. قد تختلف التسميات التجارية لبعض العدد الكهربائية المفردة.

التركيب

ضبط عمق التنقيب (تراجع الصورة A)

يمكنك بواسطة محدد عمق التنقيب **12** أن تحدد عمق التنقيب **X** المرغوب.

اضغط على زر ضبط محدد العمق **9** وركب محدد العمق في المقبض الإضافي **11**.

اسحب محدد العمق إلى الخارج إلى أن تتوافق مسافة البعد بين رأس لقمة التنقيب ورأس محدد العمق مع عمق التنقيب **X** المرغوب.

المقبض الإضافي (تراجع الصورة A)
(GSB 13/ GSB 13 RE/ GSB 16/ GSB 16 RE)

◀ استعمل عدتك الكهربائية فقط مع المقبض الإضافي **11**.

يمكنك أن تقوم بأرجحة المقبض الإضافي **11** حسب رغبتك لكي تتوصل إلى موقف عمل آمن وقليل الإجهاد.

افتل اللولب المرنح لضبط المقبض الإضافي **10** بعكس اتجاه حركة عقارب الساعة وإبرم المقبض الإضافي **11** إلى الوضع المرغوب. افتل اللولب المرنح **10** بعد ذلك باتجاه حركة عقارب الساعة بإحكام.

وصف العمل



اقرأ جميع الملاحظات التحذيرية والتعليمات. إن ارتكاب الأخطاء عند تطبيق الملاحظات التحذيرية والتعليمات قد يؤدي إلى الصدمات الكهربائية، إلى نشوب الحرائق و/أو الإصابة بجروح خطيرة.

يرجى فتح الصفحة القابلة للثني والتي تتضمن صور الجهاز وتركها مفتوحة أثناء قراءة كراسة الاستعمال.

الأجزاء المصورة

يستند ترقيم الأجزاء المصورة إلى رسوم العدة الكهربائية الموجودة في صفحة الرسوم التخطيطية.

- 1 ظرف المثقاب السريع الشد *
 - 2 اللييسة الأمامية
 - 3 اللييسة الخلفية
 - 4 مفتاح تحويل التنقيب/ التنقيب المرفق بالطرق*
 - 5 زر تثبيت مفتاح التشغيل والإطفاء
 - 6 مفتاح التشغيل والإطفاء
 - 7 عجلة ضبط عدد الدوران مسبقاً (GSB 16 RE)
 - 8 مفتاح تحويل اتجاه الدوران (GSB 10 RE/ GSB 13 RE/ GSB 16 RE)
 - 9 زر ضبط محدد العمق
 - 10 لولب مجنح لضبط القبض الإضافي
 - 11 مقبض إضافي *
 - 12 محدد العمق *
 - 13 مفتاح ظرف المثقاب *
 - 14 ظرف المثقاب المسنن الطوق *
 - 15 حامل اللقم العام *
 - 16 لقمة مفك براغي *
 - 17 مفتاح ربط سداسي الخواف داخلياً **
 - 18 مفتاح ربط مفتوح الفك **
- * إن التوايح الموصوفة أو الموجودة في الرسم ليست محتواة في إطار التوريد الاعتيادي.
- ** متداولة (غير مرفقة بنطاق التسليم)

الاستعمال المخصص

الجهاز مخصص للتنقيب المرفق بالطرق في الطوب والخرسانة والحجر وأيضاً لتنقيب الخشب و المعادن والخزف واللدائن. وتصلح الأجهزة المزودة بتحكم الكترولني ودوران يميني/ يساري لربط اللوالب ولقص أسنان اللوالب أيضاً.

تعليمات أمان خاصة بالجهاز

4 حسن معاملة واستخدام العدد الكهربائي

- (a)** لا تفرط بتحميل الجهاز. استخدم لتنفيذ أشغالك العدد الكهربائي المخصصة لذلك. إنك تعمل بشكل أفضل وأكثر أماناً بواسطة العدد الكهربائي الملائمة في مجال الأداء المذكور.
- (b)** لا تستخدم العدد الكهربائي إن كان مفتاح تشغيلها تالف. العدد الكهربائي التي لم تعد تسمح بتشغيلها أو بإطفاؤها خطيرة ويجب أن يتم تصليحها.

- (c)** اسحب القابض من المقبس و/ أو انزع المرمك قبل ضبط الجهاز وقبل استبدال قطع التوايح أو قبل وضع الجهاز جانباً. تمتنع إجراءات الاحتياط هذه تشغيل العدد الكهربائي بشكل غير مقصود.

- (d)** احتفظ بالعدد الكهربائي التي لا يتم استخدامها بعيداً عن منال الأطفال. لا تسمح باستخدام العدد الكهربائي لمن لا خبرة له بها أو لمن لم يقرأ تلك التعليمات. العدد الكهربائي خطيرة إن تم استخدامها من قبل أشخاص دون خبرة.

- (e)** اعتن بالعدد الكهربائي بشكل جيد. تفحص عما إذا كانت أجزاء الجهاز المتحركة تعمل بشكل سليم وبأمانها غير مستعصية عن الحركة أو إن كانت هناك أجزاء مكسورة أو تالفة لدرجة تؤثر فيها على حسن أداء العدد الكهربائي. ينبغي تصليح هذه الأجزاء التالفة قبل إعادة تشغيل الجهاز. الكثير من الحوادث مصدرها العدد الكهربائي التي تم صيانتها بشكل رديء.

- (f)** حافظ على إبقاء عدد القطع نظيفة وحادة. إن عدد القطع ذات حواف القطع الحادة التي تم صيانتها بعناية تتكلس بشكل أقل ويمكن توجيهها بشكل أيسر.

- (g)** استخدم العدد الكهربائي والتوايح وعدد الشغل وإلخ. حسب هذه التعليمات. تراعى أثناء ذلك شروط الشغل والعمل المراد تنفيذه. استخدام العدد الكهربائي لغير الأشغال المخصصة لأجلها قد يؤدي إلى حدوث الحالات الخطيرة.

5 الخدمة

- (a)** اسمح بتصليح عدتك الكهربائية فقط من قبل العمال المتخصصين فقط باستعمال قطع الغيار الأصلية. يؤمن ذلك المحافظة على أمان الجهاز.

GSB 13/ GSB 13 RE/ GSB 16/ GSB 16 RE

- ◀ استعمل المقابض اليدوية المرسله مع العدد الكهربائي. قد يؤدي فقدان السيطرة على العدد الكهربائي إلى الإصابة بجروح.
- ◀ اقبض على العدد الكهربائي أثناء الشغل بكلتا اليدين بإحكام وقف بثبات. يتم توجيه العدد الكهربائي بكلتا اليدين بأمان أكبر.

GSB 10/ GSB 10 RE/ GSB 13/ GSB 13 RE/ GSB 16/ GSB 16 RE

- ◀ ارتد واقية للأذنين عند استخدام آلات التثبيت المرفق بالطرق. قد يؤدي تأثير الصجيج إلى فقدان قدرة السمع.

- ◀ استخدم أجهزة تنقيب مناسبة للعنور على خطوط الإمداد المخفية أو استعن بشركة الإمداد المحلية. قد تؤدي ملامسة الخطوط الكهربائية إلى اندلاع النار وإلى الصدمات الكهربائية. إتلاف خط الغاز قد يؤدي إلى حدوث انفجار. احتراق خط الماء يؤدي إلى الأضرار المادية.

- ◀ اطفى العدد الكهربائي فوراً عند استعصاء عدة الشغل. استعد لمجابهة عزم رد الفعل العاليه التي تسبب الصدمات الارتدادية. تستعصي عدة الشغل عندما:

- يتم فرط تحميل العدد الكهربائي أو

- عندما تحرف في قطعة الشغل المرغوب معالجتها.

- ◀ المس العدد الكهربائي من قبل سطوح القبض المعزولة فقط، إن كنت تنفيذ الأعمال التي من الجائز أن تصيب خلالها عدة الشغل الخطوط الكهربائية المخفية أو كابل الشبكة الكهربائية الخاص بالجهاز. إن ملامسة خطوط يسري بها جهد كهربائي تكهرب الأجزاء المعدنية بالعدد الكهربائي أيضاً وتؤدي إلى صدمة كهربائية.

- ◀ اقبض على العدد الكهربائي أثناء الشغل بكلتا اليدين بإحكام وقف بثبات. يتم توجيه العدد الكهربائي بكلتا اليدين بأمان أكبر.

- ◀ أمن قطعة الشغل. يتم القبض على قطعة الشغل التي تم تثبيتها بواسطة تجهيزة شد أو بواسطة المزمنة بأمان أكبر مما لو تم المسك بها بواسطة يدك.
- ◀ حافظ على نظافة مكان شغلك. إن خلاص المواد شديدة الخطورة. إن أغبرة المعادن الخفيفة قد تشتعل أو تنفجر.

- ◀ انتظر إلى أن تتوقف العدد الكهربائي عن الحركة قبل أن تضعها جانباً.
- ◀ قد تتكلم عدة الشغل فتؤدي إلى فقدان السيطرة على العدد الكهربائي.

- ◀ لا تستعمل العدد الكهربائي إن كان الكابل الكهربائي تالف. لا تلمس الكابل التالف واسحب قابس الشبكة الكهربائية إن أصيب الكابل بتلف أثناء مزاوله الشغل. تزيد الكابلات الكهربائية التالفة من خطر الإصابة بصدمة كهربائية.

ملاحظات تحذيرية عامة للعدد الكهربائي

⚠ تحذير

اقرأ جميع الملاحظات التحذيرية والتعليمات. إن ارتكاب الأخطاء عند تطبيق الملاحظات التحذيرية والتعليمات قد يؤدي إلى الصدمات الكهربائية، إلى نشوب الحرائق و/أو الإصابة بجروح خطيرة.

احتفظ بجميع الملاحظات التحذيرية والتعليمات للمستقبل.

يقصد بمصطلح "العدة الكهربائية" المستخدم في الملاحظات التحذيرية، العدد الكهربائي الموصولة بالشبكة الكهربائية (بواسطة كابل الشبكة الكهربائية) وأيضاً العدد الكهربائي المزودة بمركم (دون كابل الشبكة الكهربائية).

1 الأمان بكمكان الشغل

(a) حافظ على نظافة وحسن إضاءة مكان شغلك. الفوضى في مكان الشغل ومجالات العمل الغير مضاءة قد تؤدي إلى حدوث الحوادث.

(b) لا تشغل بالعدة الكهربائية في محيط معرض لخطر الانفجار والذي تتوفر فيه السوائل أو الغازات أو الأبخرة القابلة للاشتعال. العدد الكهربائي تشكل الشرر الذي قد يتطاير، فيشعل الأبخرة والأبخرة.

(c) حافظ على بقاء الأطفال وغيرهم من الأشخاص على بعد عندما تستعمل العدة الكهربائية. قد تفقد السيطرة على الجهاز عند التلهي.

2 الأمان الكهربائي

(a) يجب أن يتلامس قابس وصل العدة الكهربائية مع المقبس. لا يجوز تغيير القابس بأي حال من الأحوال. لا تستعمل القوابس المهايئة مع العدد الكهربائي المؤرضة تاريض وقاتي. تخفّض القوابس التي لم يتمّ تغييرها والمقابس الملائمة من خطر الصدمات الكهربائية.

(b) تجنب ملامسة السطوح المؤرضة كالأنياب ورادياتورات التدفئة والمدافع أو البرادات بواسطة جسمك. يزداد خطر الصدمات الكهربائية عندما يكون جسمك مؤرض.

(c) أبعد العدة الكهربائية عن الأمطار أو الرطوبة. يزداد خطر الصدمات الكهربائية إن تسرب الماء إلى داخل العدة الكهربائية.

(d) لا نسيء استعمال الكابل لحمل العدة الكهربائية أو لتعليقها أو لسحب القابس من المقبس. حافظ على إبعاد الكابل عن الحرارة والزيت والحواف الحادة أو عن أجزاء الجهاز المتحركة. تزيد الكابلات التالفة أو المشابكة من خطر الصدمات الكهربائية.

(e) استخدم فقط كابلات التمديد الصالحة للاستعمال الخارجي أيضاً عندما تشغل بالعدة الكهربائية في الخلاء. ينخفض استعمال كابل تمديد مخصص للاستعمال الخارجي من خطر الصدمات الكهربائية.

(f) إن لم يكن بالإمكان تجنب تشغيل العدة الكهربائية في الأجواء الرطبة، فاستخدم مفتاح للوقاية من التيار المتخلف. إن استخدم مفتاح للوقاية من التيار المتخلف يقلل خطر الصدمات الكهربائية.

3 أمان الأشخاص

(a) كن يقظاً وانتبه إلى ما تفعله وقم بالعمل بواسطة العدة الكهربائية بتعقل. لا تستخدم عدة كهربائية عندما تكون متعب أو عندما تكون تحت تأثير المخدرات أو الكحول أو الأدوية. عدم الانتباه للحظة واحدة عند استخدام العدة الكهربائية قد يؤدي إلى إصابات خطيرة.

(b) ارتد عتاد الوقاية الخاص وارتد دائماً نظارات واقية. يجد ارتداء عتاد الوقاية الخاص، كقناع الوقاية من الغبار وأحذية الأمان الواقية من الانزلاق والخوذ أو واقية الأذنين، حسب نوع واستعمال العدة الكهربائية، من خطر الإصابة بجروح.

(c) تجنب التشغيل بشكل غير مقصود. تأكد من كون العدة الكهربائية مطفأة قبل وصلها بإمداد التيار الكهربائي و/أو بالمركم، وقبل رفعها أو حملها. إن كنت تضع إصبعك على المفتاح أثناء حمل العدة الكهربائية أو إن وصلت الجهاز بالشبكة الكهربائية عندما يكون قيد التشغيل، فقد يؤدي ذلك إلى حدوث الحوادث.

(d) انزع عدد الضبط أو مفتاح الربط قبل تشغيل العدة الكهربائية. قد تؤدي العدة أو المفتاح المتواجد في جزء دوار من الجهاز إلى الإصابة بجروح.

(e) تجنب أوضاع الجسد الغير طبيعية. قف بأمان وحافظ على توازنك دائماً. سيسمح لك ذلك من السيطرة على الجهاز بشكل أفضل في المواقف الغير متوقعة.

(f) ارتد ثياب مناسبة. لا ترتد الثياب الفضفاضة أو الحلى. حافظ على إبقاء الشعر والثياب والقفاذات على بعد عن أجزاء الجهاز المتحركة. قد تتشابك الثياب الفضفاضة والحلى والشعر الطويل بالأجزاء المتحركة.

(g) إن جاز تركيب تجهيزات شطف وتجميع الغبار، فتأكد من أنها موصولة وبأنه يتم استخدامها بشكل سليم. قد يقلل استخدام تجهيزات لشطف الأغبرة من المخاطر الناتجة عن الأغبرة.

خدمات پس از فروش و مشاوره با مشتریان

دفتر خدمات پس از فروش به سئوالات شما در باره تعمیرات، سرویس و همچنین قطعات یدکی و متعلقات پاسخ خواهد داد. تصاویر و اطلاعات در باره قطعات یدکی و متعلقات را میتوانید در سایت نامبرده ذیل جستجو نمایید:

www.bosch-pt.com

تیم مشاور خدمات پس از فروش شرکت بوش با کمال میل به سئوالات شما در باره خرید، طرز استفاده و تنظیم محصولات و متعلقات پاسخ میدهد.

برای استفاده از گارانتی، تعمیر دستگاه و تهیه ابزار یدکی فقط به فروشنده متخصص مراجعه کنید.

از دور خارج کردن دستگاه

ابزار برقی، متعلقات و بسته بندی آن، باید طبق مقررات حفظ محیط زیست از دور خارج و بازیافت شوند.

حق هرگونه تغییری محفوظ است.

برای کار روی بتون، مواد سنگی و قطعات آجری از مته های فلز سخت استفاده کنید.

برای مته کاری در فلزات فقط از مته های سالم و تیز از جنس HSS (فولاد قوی سریع = HSS) استفاده کنید. لیست ابزار و متعلقات شرکت بوش تضمین کننده بهترین کیفیت ابزار میباشد.

پوسیده ابزار تیز کردن مته (متعلقات) میتوانید مته هایی با قطر 2,5-10 میلیمتر را براحتی تیز کنید.

GSB 16 RE

برای انجام برخی از کارهای دقیق و خاصی، از یک پایه مته (متعلقات) استفاده کنید.

با گیره اتصال دستگاه که بطور جداگانه عرضه میشود، میتوان قطعه کار را بطور مطمئن محکم نگه داشت. این از کج شدن قطعه و سوانح احتمالی جلوگیری میکند.

مراقبت و سرویس

مراقبت، تعمیر و تمیز کردن دستگاه

◀ پیش از انجام هرگونه کاری بر روی ابزار الکتریکی، دوشاخه اتصال آنرا از داخل پریز برق بیرون بکشید.

◀ ابزار الکتریکی و شیارهای تهویه آنرا تمیز نگاه دارید، تا ایمنی شما در کار تضمین گردد.

در صورت از کار افتادن ابزار الکتریکی، با وجود دقت بسیاری که در مراحل تولید و آزمایش آن صورت گرفته است، باید برای تعمیر آن به یکی از تعمیرگاه های مجاز و خدمات پس از فروش ابزارآلات برقی بوش مراجعه کنید.

برای هرگونه سئوال و یا سفارش ابزار یدکی و متعلقات، حتماً شماره فنی ده رقمی کالا را مطابق برجسب روی ابزار برقی اطلاع دهید.

نحوه تنظیم سرعت و تعداد ضربه ها

(GSB 10 RE / GSB 13 RE / GSB 16 RE)

شما می‌توانید سرعت و تعداد ضربه را در حالت روشن بودن ابزار برقی بدون درجه بندی بر حسب میزان فشار بر روی کلید قطع و وصل **6** تنظیم کنید.

فشار کم بر روی کلید قطع و وصل **6** میزان سرعت و تعداد ضربه ها را کاهش میدهد. افزایش فشار باعث افزایش سرعت و تعداد ضربه ها میشود.

نحوه انتخاب سرعت و تعداد ضربه ها (GSB 16 RE)

بوسیله کلید قابل چرخش **7** برای تنظیم و انتخاب سرعت، میتوان سرعت و تعداد ضربه های لازم را در حال حرکت دستگاه (کارکرد) نیز تنظیم کرد.

میزان سرعت و تعداد ضربه ها به جنس قطعه کار و شرایط کار بستگی داشته و طبق تجربه عملی بدست می آید.

نحوه انتخاب نوع کار

سوراخ کاری و پیچ کاری (پیچ زنی)

کلید انتخاب نوع عملکرد **4** را بر روی علامت «سوراخ کاری» قرار بدهید.



دریل کاری ضربه ای

کلید انتخاب نوع عملکرد **4** را بر روی علامت «دریل کاری ضربه ای» قرار بدهید.



کلید انتخاب نوع عملکرد **4** بطور محسوسی جا می افتد و میتواند در حال حرکت دستگاه نیز فعال شود.

راهنمایی های عملی

◀ ابزار برقی را تنها در حالت خاموش روی پیچ و یا مهره قرار دهید. امکان لغزش ابزار مته در حال چرخش وجود دارد.

پیشنهاد های مفید

پس از مدتی کار با دور پائین و سرعت کم بایستی ابزار برقی را برای خنک شدن به مدت تقریباً 3 دقیقه با حداکثر سرعت در حالت آزاد بکار اندازید.

برای سوراخ کردن کاشی کلید تغییر نوع عملکرد **4** را روی علامت سوراخ کاری قرار بدهید. پس از سوراخ کردن کاشی کلید تغییر نوع عملکرد را روی علامت دریل کاری ضربه ای قرار داده و با ضربه کار کنید.

- حتی الامکان از یک مکنده گرد و غبار استفاده نکنید.

- توجه داشته باشید که محل کار شما از تهویه هوای کافی برخوردار باشد.

- توصیه میشود از ماسک تنفسی ایمنی با درجه فیلتر P2 استفاده کنید.

به قوانین و مقررات معتبر در کشور خود در رابطه با استفاده از مواد و قطعات کاری توجه کنید.

طرز کار با دستگاه

راه اندازی و بکارگیری دستگاه

به ولتاژ شبکه برق توجه کنید! ولتاژ منبع جریان برق باید با مقادیر موجود بر روی برچسب ابزار الکتریکی مطابقت داشته باشد.

تنظیم جهت چرخش (رجوع شود به تصاویر H-G) (GSB 10 RE / GSB 13 RE / GSB 16 RE)

بوسیله کلید تغییر جهت چرخش **8** می‌توانید جهت چرخش ابزار برقی را تغییر دهید. این عمل در حالتی که دکمه قطع و وصل **6** فشرده باشد، امکان پذیر نیست.

راست گرد: برای سوراخ کاری و چرخش های اولیه پیچ برای بستن پیچ، کلید تغییر جهت چرخش **8** را تا نقطه ایست به سمت چپ فشار دهید.

چپ گرد: برای باز کردن و بیرون آوردن پیچ ها و مهره ها، کلید تغییر جهت چرخش **8** را تا نقطه ایست به سمت راست فشار بدهید.

نحوه روشن و خاموش کردن ابزار برقی

برای روشن کردن دستگاه دکمه قطع و وصل **6** را فشار داده و آنرا در حالت فشرده نگهدارید.

برای قفل و تثبیت کلید قطع و وصل **6** در حالی که به داخل فشرده باشد، دکمه تثبیت **5** را فشار بدهید.

برای خاموش کردن ابزار برقی، کلید قطع و وصل **6** را رها کنید و اگر کلید قطع و وصل بوسیله دکمه تثبیت **5** ثابت مانده باشد، کلید قطع و وصل **6** را کمی فشار داده و آنرا دوباره رها کنید.

نحوه تعویض سه نظام

◀ پیش از انجام هرگونه کاری بر روی ابزار الکتریکی، دوشاخه اتصال آنرا از داخل پریز برق بیرون بکشید.

نحوه برداشتن سه نظام (رجوع شود به تصویر E)

برای باز کردن سه نظام اتوماتیک 1، یک آچار آلن شش گوش 17 را در سه نظام اتوماتیک 1 قرار بدهید و یک آچار تخت 18 (دهانه آچار 1.2 میلیمتر) را در محل قرارگاه آچار در محور محرک قرار بدهید. ابزار برقی را بر روی یک سطح ثابت و محکم، بطور مثال بر روی یک میز کار قرار بدهید. آچار تخت 18 را محکم نگهدارید و سه نظام اتوماتیک 1 را از طریق چرخاندن آچار آلن شش گوش 17 در جهت چرخش 0 کمی باز (شکل) کنید. در صورت گیر کردن و محکم بودن سه نظام اتوماتیک، میتوان بوسیله یک ضربه آهسته بر روی میله (شففت) بلند آچار آلن 17، آنرا آزاد کرد. آچار آلن را از سه نظام اتوماتیک بردارید و سه نظام اتوماتیک را بطور کامل باز کنید.

برای باز کردن سه نظام معمولی (دندانه ای) 14 نیز مانند نحوه باز کردن سه نظام اتوماتیک عمل کنید.

نصب سه نظام (رجوع شود به تصویر F)

برای نصب سه نظام اتوماتیک و سه نظام معمولی (دندانه ای) باید سلسله مراتب فوق را بطور معکوس اجراء کنید.

سه نظام باید با یک محکم کننده گشتاور (گشتاورسنج)

تقریباً معادل 35 - 30 Nm محکم شود.



مکش گرد و خاکه اره و تراشده

◀ گرد و غبار موادی مانند رنگ های دارای سرب، بعضی از چوب ها،

مواد معدنی و فلزات میتوانند برای سلامتی مضر باشند. دست زدن و یا تنفس کردن گرد و غبار ممکن است که باعث عکس العمل های آلرژی دار و یا سبب بیماری مجاری تنفسی شخص استفاده کننده و یا افرادی که در نزدیکی میباشند بشود.

گرد و غبار های مخصوصی مانند گرد و غبار درخت بلوط و یا درخت راش باعث ایجاد بیماری سرطانی میشوند. بخصوص در زمان ترکیب با سایر مواد برای کار بر روی چوب (کرومات، مواد برای محافظت از چوب). فقط افراد متخصص مجاز میباشند که با موادی که دارای آزیست میباشند کار کنند.

دکمه 9 برای تعیین و تنظیم عمق سوراخ را فشار داده و خط کش تنظیم کننده عمق سوراخ را در دسته کمکی 11 قرار دهید.

خط کش محدودکننده عمق سوراخ را تا مقداری بیرون آورید که فاصله بین سر منته و سر خط کش محدود کننده عمق سوراخ، با عمق X مورد نظر سوراخ، مطابقت داشته باشد.

تعویض ابزار

◀ پیش از انجام هرگونه کاری بر روی ابزار الکتریکی، دوشاخه اتصال آنرا از داخل پریز برق بیرون بکشید.

سه نظام اتوماتیک (رجوع شود به تصویر B)

پوشش مهره (آداپتور) عقبی 3 سه نظام اتوماتیک 1 را محکم نگاه دارید و مهره (آداپتور) جلویی 2 را در جهت چرخش 0 بچرخانید تا بتوان ابزار را داخل ابزارگیر قرار داد. ابزار را جا گذاری کنید.

سرپوش (مهره) عقبی 3 سه نظام اتوماتیک 1 را محکم نگاه دارید و سرپوش (مهره) جلویی 2 را بوسیله دست محکم به سمت چرخش 0 بچرخانید تا دیگر صدای قفل شدن آن (صدای کلیک) قابل شنیدن نباشند. سه نظام از این طریق بطور اتوماتیک قفل میشود.

جهت باز کردن قفل و بیرون آوردن ابزار، پوشش مهره (آداپتور) جلویی 2 را در جهت مخالف بچرخانید.

سه نظام معمولی (دندانه ای) (رجوع شود به تصویر C)

◀ برای تعویض ابزار از دستکش ایمنی استفاده کنید. سه نظام ممکن است در اثر کار طولانی بیش از حد گرم شود.

سه نظام معمولی (دندانه ای) 14 را با چرخاندن آن تا حدی باز کنید که بتوان ابزار را داخل آن قرار داد. ابزار را قرار دهید.

آچار سه نظام 13 را داخل سوراخ های مربوطه سه نظام معمولی (دندانه ای) 14 قرار بدهید و ابزار را بطور یکنواخت مهار کنید.

ابزار برای پیچ کاری (پیچ زنی) (رجوع شود به تصویر D)

هنگام استفاده از سرپیچگوشتی های 16 باید همیشه از یک رابط سرپیچگوشتی 15 برای انواع سر پیچگوشتی ها (نگهدارنده یونیورسال) استفاده کنید. تنها از سر پیچگوشتی های استفاده کنید که با اندازه سرپیچ (گل پیچ) متناسب باشند.

برای انجام عملیات پیچ کاری (پیچ زنی)، کلید انتخاب نوع عملکرد 4 برای «سوراخ کاری/دریل کاری ضربه ای» را همواره بر روی علامت «سوراخ کاری» قرار بدهید.

مشخصات فنی

16 RE	16	13 RE	13	10 RE	10	GSB ... Professional	دربل ضربه ای یک سرعته
B18 1..	B18 0..	B17 1..	B17 0..	B16 1..	B16 0..	3 601 ...	شماره فنی
701	701	600	600	500	500	W	قدرت ورودی نامی
351	351	301	301	250	250	W	قدرت خروجی
3000-0	3000	2800-0	2800	2600-0	2600	min ⁻¹	سرعت در حالت آزاد
1640	1640	1570	1570	1610	1610	min ⁻¹	حداکثر سرعت چرخش خت فشار
26270	26270	25070	25070	25700	25700	min ⁻¹	تعداد ضربه
2,0	2,0	1,8	1,8	1,5	1,5	Nm	گشتاور اسمی
•	-	-	-	-	-		انتخاب سرعت
•	-	•	-	•	-		راست گرد/چپ گرد
43	43	43	43	43	43	mm	قطر محور گلوئی Ø
							حداکثر قطر سوراخ کاری Ø
16	16	13	13	10	10	mm	- بتون
12	12	10	10	8	8	mm	- فولاد
30	30	25	25	20	20	mm	- چوب
							حداکثر دامنه مهار سه نظام
13-1,5	13-1,5	13-1,5	13-1,5	10-1,5	10-1,5	mm	وزن مطابق استاندارد EPTA-Procedure 01/2003
1,9	1,9	1,7	1,7	1,5	1,5	kg	پایه ایمنی
II/□	II/□	II/□	II/□	II/□	II/□		

مقادیر فوق برای ولتاژ نامی V 230/240 [U] معتبر و مجاز می باشند. این اندازه ها ممکن است در ولتاژ های پائین تر و مدل های دیگر دستگاه. برای کشورهای دیگر در خصوص آن کشور مربوطه. تغییر کنند.

لطفاً به شماره فنی روی برچسب ابزار الکتریکی خود توجه کنید. نامهای جاری ابزارهای الکتریکی ممکن است متفاوت باشند.

نصب

پیچ خروسی **10** را برای تنظیم دسته کمکی برعکس حرکت عقربه ساعت بچرخانید و دسته کمکی **11** را در به نوسان در آورده و به حالت دلخواه در بیاورید. سپس پیچ خروسی **10** برای تنظیم عمق سوراخ را با چرخاندن در جهت حرکت عقربه ساعت مجدداً سفت کنید.

نحوه تنظیم عمق سوراخ (رجوع شود به تصویر **A**)
بوسیله خط کش **12** جهت محدود ساختن و کنترل عمق سوراخ کاری لازم. میتوان عمق مطلوب **X** سوراخ را تعیین کرد.

دسته کمکی (رجوع شود به تصویر **A**)
(GSB 13/GSB 13 RE/GSB 16/GSB 16 RE)

از ابزار الکتریکی خود فقط همراه با دسته کمکی **11** استفاده کنید.

شما میتونید دسته کمکی **11** را به اندازه دلخواه بچرخانید. بطوریکه بخوبی کار کرده و کمتر خسته شوید.

موارد استفاده از دستگاه

این ابزار برقی برای دریل کاری ضربه ای در آجر، بتون، سنگ، و همچنین سوراخ کاری در چوب، فلزات، سرامیک و مواد پلاستیکی مناسب است. دستگاههای مجهز به کنترل الکترونیکی و قابلیت چرخش راست گرد و چپ گرد برای پیچ کاری (پیچ زنی) و فلاویز کاری نیز مناسب میباشند.

اجزاء مصور دستگاه

شماره های اجزاء دستگاه که در تصویر مشاهده میشود، مربوط به شرح و تصویر ابزار الکتریکی می باشد که تصویر آن در این دفترچه آمده است.

- 1 سه نظام اتوماتیک *
 - 2 پوشش مهره (آداپتور) جلویی
 - 3 پوشش مهره (آداپتور) عقبی
 - 4 کلید انتخاب نوع عملکرد «دریل کاری (سوراخ کاری)/دریل کاری ضربه ای»
 - 5 دکمه تثبیت کلید قطع و وصل دستگاه
 - 6 کلید قطع و وصل
 - 7 کلید قابل چرخش تنظیم و انتخاب سرعت (GSB 16 RE)
 - 8 کلید تغییر جهت چرخش (GSB 10 RE / GSB 13 RE / GSB 16 RE)
 - 9 دکمه تعیین و تنظیم عمق سوراخ
 - 10 پیچ خروسکی برای تنظیم دسته کمکی
 - 11 دسته کمکی *
 - 12 خط کش تنظیم کننده عمق *
 - 13 آچار سه نظام *
 - 14 سه نظام معمولی (دندانهای ای) *
 - 15 نگهدارنده یونیورسال (رابط) سریپیچگوشتی *
 - 16 سریپیچگوشتی *
 - 17 آچار آلن شش گوش **
 - 18 آچار تخت **
- * کلیه متعلقاتی که در تصویر و یا در متن آمده است، در محدوده عرضه بطور استاندارد نمی باشند.
- ** قابل خرید در بازار (همراه با دستگاه عرضه نمیشود)

در صورت گیر کردن و بلوکه شدن ابزار، ابزار برقی (دستگاه) را فوراً خاموش کنید. در این حالت مواظب واکنش های شدید گنشتاور باشید که باعث ضربه زدن دستگاه میشود. ابزار کار ممکن است در این حالات گیر کند:

- در صورتیکه به ابزار برقی فشار بیش از حد وارد شود و یا
- ابزار به قطعه کار گیر کند.

در صورتیکه بسته به نوع کارتان، امکان تماس ابزار الکتریکی با کابل های برق داخل ساختمان که قابل رویت نیستند و یا کابل خود دستگاه وجود داشته باشد، دستگاه را منحصراً از دسته و سطوح عایق دار آن نگهدارید. تماس با سیم و کابلی که هادی جریان برق است، می تواند در بخش های فلزی دستگاه نیز جریان برق تولید کند و باعث برق گرفتگی شود.

ابزار الکتریکی را هنگام کار، با هر دو دست محکم گرفته و جایگاه مطمئنی برای خود انتخاب کنید. ابزار برقی را میتوان با دو دست بهتر و مطمئن تر بکار گرفت و آنرا هدایت کرد.

قطعه کار را محکم کنید. در صورتیکه قطعه کار به وسیله تجهیزات نگهدارنده و یا بوسیله گیره محکم شده باشد، در اینصورت قطعه کار مطمئن تر نگه داشته میشود. تا اینکه بوسیله دست نگهداشته شود.

محل کار خود را تمیز نگهدارید. مخلوط شدن مواد با یکدیگر بسیار خطرناک است. گرد فلزات سبک، ممکن است باعث حریق و یا انفجار شود.

قبل از کنار گذاشتن دستگاه صبر کنید تا ابزار الکتریکی از کار بایستد. ابزار قرار گرفته روی دستگاه ممکن است به قطعه کار گیر کرده و کنترل ابزار برقی از دست شما خارج نشود.

در صورتیکه کابل ابزار برقی آسیب دیده باشد، از آن استفاده نکنید. از تماس با کابل آسیب دیده خود داری کرده و در صورت آسیب دیدن کابل دستگاه در حین کار، دوشاخه اتصال را از داخل پریز برق بیرون آورید. کابل های آسیب دیده، خطر برق گرفتگی را افزایش میدهند.

تشریح عملکرد دستگاه

کلیه دستورات ایمنی و راهنمایی ها را مطالعه کنید. اشناباهات ناشی از عدم رعایت این دستورات ایمنی ممکن است باعث برق گرفتگی، سوختگی و یا سایر جراحات های شدید شود.



لطفاً صفحه تا شده این دفترچه راهنما را که حاوی تصویر دستگاه است، باز کنید و هنگام خواندن این دفترچه راهنما، آنرا باز نگهدارید.

(f) ابزار برش را تیز و تمیز نگهدارید. ابزار برشی که خوب مراقبت شده و از لبه های تیز برخوردارند. کمتر درقطعه کار گیر کرده و بهتر قابل هدایت می باشند.

(g) ابزارهای الکتریکی. متعلقات. ابزاری که روی دستگاه نصب می شوند و غیره را مطابق دستورات این جزوه راهنما طوری به کار بگیرید که با مدل این دستگاه تناسب داشته باشند. همچنین به شرایط کاری و نوع کار توجه کنید. کاربرد ابزار برقی برای موارد کاری که برای آن درنظر گرفته نشده است. می تواند شرایط خطرناکی را منجر شود.

5 سرویس

(a) برای تعمیر ابزار الکتریکی فقط به متخصصین حرفه ای رجوع کرده و از وسایل بدکی اصل استفاده کنید. این باعث خواهد شد که ایمنی دستگاه شما تضمین گردد.

راهنمایی های ایمنی برای این دستگاه

GSB 13/GSB 13 RE/GSB 16/GSB 16 RE

- ◀ از دسته کمکی که به همراه ابزار الکتریکی ارسال میشود. استفاده کنید. از دست دادن کنترل شما روی ابزار برقی ممکن است جراحاتی را منجر گردد.
- ◀ ابزار الکتریکی را هنگام کار. با هر دو دست محکم گرفته و جایگاه مطمئنی برای خود انتخاب کنید. ابزار برقی را میتوان با دو دست بهتر و مطمئن تر بکار گرفت و آنرا هدایت کرد.

GSB 10/GSB 10 RE/GSB 13/GSB 13 RE/GSB 16/GSB 16 RE

- ◀ هنگام استفاده از دریل ضربه ای از گوشی ایمنی استفاده کنید. صدای بلند میتواند به شنوایی شما لطمه وارد کند.
- ◀ برای پیدا کردن لوله ها و سیم های پنهان موجود در ساختمان و محدوده کار. از یک دستگاه مخصوص برای یافتن لوله ها و سیمهای تأسیسات استفاده کنید و یا با شرکت های تأسیسات و خدمات مربوطه تماس بگیرید. تماس با کابل برق ممکن است باعث آتشسوزی و یا برق گرفتگی شود. ایراد و آسیب دیدگی لوله گاز میتواند انفجار ایجاد کرده و سوراخ شدن لوله آب باعث ایجاد خسارت میشود.

(e) وضعیت بدن شما باید در حالت عادی قرار داشته باشد. برای کار جای مطمئنی برای خود انتخاب کرده و تعادل خود را همواره حفظ کنید. به این ترتیب می توانید ابزار الکتریکی را در وضعیت های غیر منتظره بهتر تحت کنترل داشته باشید.

(f) لباس مناسب بپوشید. از پوشیدن لباس های فراخ و حمل زینت آلات خود داری کنید. موها. لباس و دستکش ها را از بخش های درحال چرخش دستگاه دور نگهدارید. لباس های فراخ. موی بلند و زینت آلات ممکن است در قسمت های درحال چرخش دستگاه گیرکنند.

(g) در صورتیکه میتوانید وسایل مکش گرد و غبار و یا وسیله جذب زائده را به دستگاه نصب کنید. باید مطمئن شوید که این وسایل نصب و درست استفاده می شوند. استفاده از وسایل مکش گرد و غبار مصونیت شما را در برابر گرد و غبار زیاد تر میکند.

4 استفاده صحیح از ابزار الکتریکی و مراقبت از آن

- (a)** از وارد کردن فشار زیاد روی دستگاه خود داری کنید. برای هر کاری. از ابزار الکتریکی مناسب با آن استفاده کنید. بکار گرفتن ابزار الکتریکی مناسب باعث میشود که بتوانید از توان دستگاه بهتر و با اطمینان بیشتر استفاده کنید.
- (b)** در صورت ایراد در کلید قطع و وصل ابزار برقی. از دستگاه استفاده نکنید. ابزار الکتریکی که نمی توان آنها را قطع و وصل کرد. خطرناک بوده و باید تعمیر شوند.
- (c)** قبل از تنظیم ابزار الکتریکی. تعویض متعلقات و یا کنار گذاشتن آن. دوشاخه را از برق کشیده و یا باتری آنرا خارج کنید. رعایت این اقدامات پیشگیری ایمنی از راه افتادن ناخواسته ابزار الکتریکی جلوگیری می کند.
- (d)** ابزار الکتریکی را در صورت عدم استفاده. از دسترس کودکان دور نگهدارید. اجازه ندهید که افراد نا وارد و یا اشخاصی که این دفترچه راهنما را نخوانده اند. با این دستگاه کار کنند. قرار گرفتن ابزار الکتریکی در دست افراد ناوارد و بی تجربه خطرناک است.
- (e)** از ابزار الکتریکی خوب مراقبت کنید. مواظب باشید که قسمت های متحرک دستگاه خوب کار کرده و گیر نکنند. همچنین دقت کنید که قطعات ابزار الکتریکی شکسته و یا آسیب دیده نباشند. قطعات آسیب دیده را قبل از شروع به کار تعمیر کنید. علت بسیاری از سوانح کاری. عدم مراقبت کامل از ابزارهای الکتریکی می باشد.

راهنمایی های ایمنی عمومی برای ابزارهای

الکتریکی

⚠ هشدار

همه دستورات ایمنی و راهنمایی ها را بخوانید. اشتباهات ناشی از عدم رعایت این دستورات ایمنی ممکن است باعث برق گرفتگی، سوختگی و یا سایر جراحات های شدیدی شود.

همه هشدار های ایمنی و راهنمایی ها را برای آینده خوب نگهداری کنید.

هرجا در این راهنما از «ابزار الکتریکی» صحبت میشود، منظور ابزارهای الکتریکی (باسیم برق) و یا ابزارهای الکتریکی باطری دار (بدون سیم برق) می باشد.

1 ایمنی محل کار

(a) محل کار خود را تمیز، مرتب و مجهز به نور کافی نگهدارید. محیط کار نامرتب و کم نور میتواند باعث سوانح کاری شود.

(b) با ابزار الکتریکی در محیط هایی که در آن خطر انفجار وجود داشته و حاوی مایعات، گازها و غبارهای محترقه باشد، کار نکنید. ابزارهای الکتریکی جرقه هایی ایجاد میکنند که می توانند باعث آتش گرفتن گرد و بخارهای موجود در هوا شوند.

(c) هنگام کار با ابزار الکتریکی، کودکان و سایر افراد را از دستگاه دور نگهدارید. در صورتیکه حواس شما پرت نشود، ممکن است کنترل دستگاه از دست شما خارج شود.

2 ایمنی الکتریکی

(a) دوشاخه ابزار الکتریکی باید با پریز برق تناسب داشته باشد. هیچگونه تغییری در دوشاخه ندهید. مبدل دوشاخه نباید همراه با ابزار الکتریکی دارای اتصال به زمین (ارت شده) استفاده شود. دوشاخه های اصل و تغییر داده نشده و پریزهای مناسب، خطر شوک الکتریکی و برق گرفتگی را کم می کنند.

(b) از تماس بدنی با قطعات دارای سیم اتصال به زمین (ارت شده) مانند لوله، شوفاژ، اجاق برقی و یخچال خود داری کنید. در صورتیکه بدن شما با سیم دارای اتصال به زمین (ارت شده) تماس پیدا کند، خطر برق گرفتگی بیشتر خواهد شد.

(c) دستگاه را از باران و رطوبت دور نگهدارید. نفوذ آب به ابزار الکتریکی، خطر شوک الکتریکی را افزایش میدهد.

(d) از سیم دستگاه برای کارهایی چون حمل ابزار الکتریکی، آویزان کردن آن و یا خارج کردن دوشاخه از برق استفاده نکنید. کابل دستگاه را در مقابل حرارت، روغن، لبه های تیز و بخش های متحرک دستگاه دور نگهدارید. کابل های آسیب دیده و یا گره خورده خطر شوک الکتریکی را افزایش میدهند.

(e) در صورتیکه با ابزار الکتریکی در محیط باز کار میکنید، تنها از کابل رابطی استفاده کنید که برای محیط باز نیز مناسب باشد. کابل های رابط مناسب برای محیط باز، خطر برق گرفتگی را کم می کنند.

(f) در صورت لزوم کار با ابزار الکتریکی در محیط و اماکن مرطوب، در اینصورت باید از یک کلید حفاظتی جریان خطا و نشستی زمین (کلید قطع کننده اتصال با زمین) استفاده کنید. استفاده از کلید حفاظتی جریان خطا و نشستی زمین خطر برق گرفتگی را کمتر می کند.

3 رعایت ایمنی اشخاص

(a) حواس خود را خوب جمع کنید، به کار خود دقت کنید و با فکر و هوش کامل با ابزار الکتریکی کار کنید. در صورت خستگی و یا در صورتیکه مواد مخدر، الکل و دارو استفاده کرده اید، با ابزار الکتریکی کار نکنید. یک لحظه بی توجهی هنگام کار با ابزار الکتریکی، میتواند جراحات های شدیدی به همراه داشته باشد.

(b) از تجهیزات ایمنی شخصی و از عینک ایمنی همواره استفاده کنید. استفاده از تجهیزات ایمنی مانند ماسک

ایمنی، کفش های ایمنی ضد لغزش، کلاه ایمنی و گوشه ایمنی مناسب با نوع کار با ابزار الکتریکی، خطر مجروح شدن را تقلیل میدهد.

(c) مواظب باشید که ابزار الکتریکی بطور ناخواسته بکار نیفتد. قبل از وارد کردن دوشاخه دستگاه در پریز برق، اتصال آن به باطری، برداشتن آن و یا حمل دستگاه، باید دقت کنید که ابزار الکتریکی خاموش باشد. در صورتیکه هنگام حمل دستگاه انگشت شما روی دکمه قطع و وصل باشد و یا دستگاه را در حالت روشن به برق بزنید، ممکن است سوانح کاری پیش آید.

(d) قبل از روشن کردن ابزار الکتریکی، باید همه ابزارهای تنظیم کننده و آچارها را از روی دستگاه بردارید. ابزار و آچارهایی که روی بخش های چرخنده دستگاه قرار دارند، میتوانند باعث ایجاد جراحات شوند.